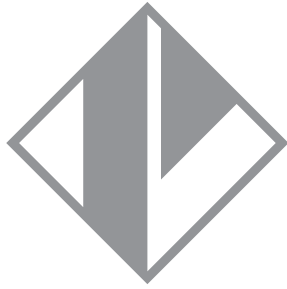


Introduction



GEMNIS

An increasing number of users requires products which carry out several safety functions without needing the complex management of a safety PLC or the complex wiring of many traditional safety modules. Such problems arise mainly when the safety functions are typically greater than 3 or 4, and/or when managing a safety PLC software (software purchase, training courses, programming of all modules, software management and filing, updates etc.) turns out to be too great an overhead in relation to problem complexity.

Pizzato Elettrica introduces Gemnis, a series of electronic modules which are pre-programmed for specific customer applications or for generic safety macro-functions commonly used in industrial contexts. The following pages list some of the pre-programmed products for generic macro-functions commonly used in the industrial sector. These products are also available for individual purchase. Any customer requiring a product pre-programmed to their particular specification can contact the Pizzato Elettrica technical department (minimum volumes are requested).

The resulting advantages for customers typically include simplified product management (purchase of finished components) and reduced general costs (no software to be installed and managed, products are immediately operational).

All Gemnis series products are able to provide circuit solutions at SIL 3 (EN 62061), PL e (EN ISO 13849-1) or category 4 (EN ISO 13849-1) levels.

Quality marks:



EC type examination certificate: M6A 075157 0032
UL approval: E131787
CCC approval: 2021000305000107
TÜV SÜD approval: Z10 075157 0031
EAC approval: RU C-IT.YT03.B.00035/19

Code structure

CS MF201M0-P●●

Hardware code

●● hardware code

Program code

P●● program code

Connection type

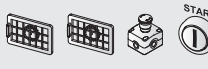
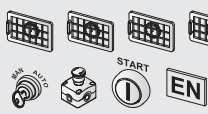
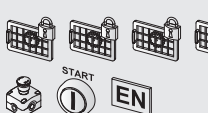
M Connector with screw terminals

Supply voltage

0 24 Vdc



Product list

Product code	Functions executed	Safety outputs	Signalling outputs	Page
CS MF201M0-P1	Monitoring of 2 guards in AND and 1 emergency stop with automatic start or manual monitored start. 	3 NO	4 PNP	403
CS MF202M0-P2	Monitoring of 4 guards in AND, 1 bypass selector, 1 emergency stop, automatic start or manual monitored start, general enabling signal. 	4 PNP	4 PNP	404
CS MF202M0-P3	Monitoring of 6 guards in AND (2NC contacts), 1 emergency stop, automatic start or manual monitored start. 	4 PNP	4 PNP	405
CS MF202M0-P4	Monitoring of 6 guards in AND (1NO+1NC contacts), 1 emergency stop, automatic start or manual monitored start. 	4 PNP	4 PNP	406
CS MF202M0-P5	Monitoring of 4 guards with independent outputs, 1 bypass selector, 1 emergency stop, automatic start or manual monitored start, general enabling signal. 	4 PNP	4 PNP	407
CS MF202M0-P6	Monitoring of 2 guards, 1 bypass selector, 1 emergency stop, automatic start or manual monitored start, general enabling signal. Three instantaneous outputs and one delayed output with selector switch with 4 times. Selectable On/Off delay. 	4 PNP	4 PNP	408
CS MF202M0-P7	Monitoring of 4 guards (AND linked) with switches with guard locking, operating principle "D", 1 emergency stop, monitored start. Two instantaneous outputs and two delayed outputs with selector switch with 4 times. 	4 PNP	4 PNP	409
CS MF202M0-P8	Monitoring of 4 guards in AND with switches with guard locking, operating principle "E", 1 emergency stop, monitored start. Two instantaneous outputs and two delayed outputs with selector switch with 4 times. 	4 PNP	4 PNP	410
CS MF204M0-P10	Monitoring of 4 guards in AND (OSSD outputs) and 1 emergency stop with automatic start or manual monitored start. 	3 NO	4 PNP	411

Legend:



Movable guard monitoring



Monitoring of a movable guard with lock



Emergency stop



Start function



Bypass selector

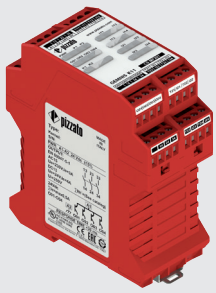


Time selector

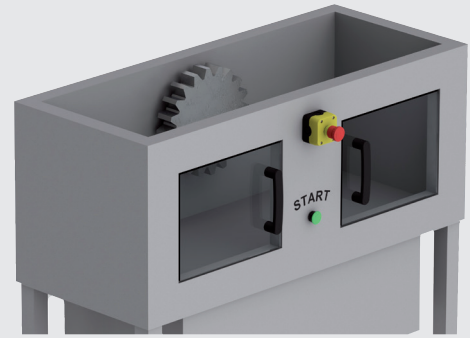


Enabling input

CS MF201M0-P1 pre-programmed module



Product code
CS MF201M0-P1



Main functions

- Monitoring of 2 guards
- Monitoring of 1 emergency stop
- Automatic start or monitored manual start

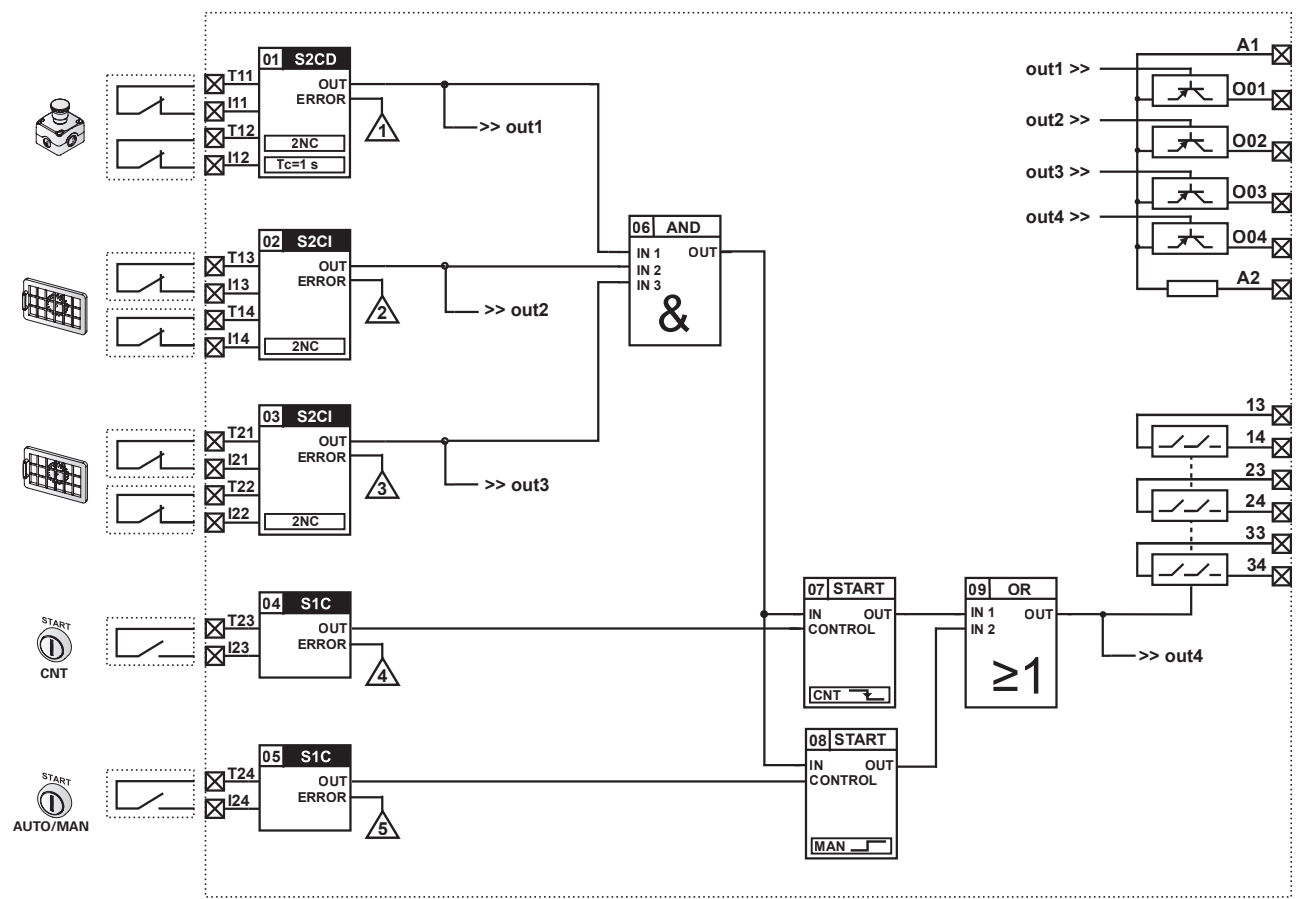
Outputs

- 3 NO safety outputs
- 4 PNP signalling outputs

Technical data: see CS MP201M0
 Dimensions, cable cross sections, terminal tightening torque: page 415, design C
 Internal wiring diagram: page 418
 Terminal layout: page 418

Application program: P1

The application program stored in the module executes one or more safety functions, as shown in the following block diagram:

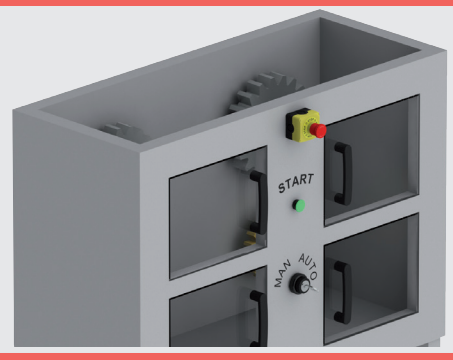




CS MF202M0-P2 pre-programmed module



Product code
CS MF202M0-P2



Main functions

- Monitoring of 4 guards
- 1 bypass selector
- 1 emergency stop
- Automatic start or monitored manual start
- General enabling signal

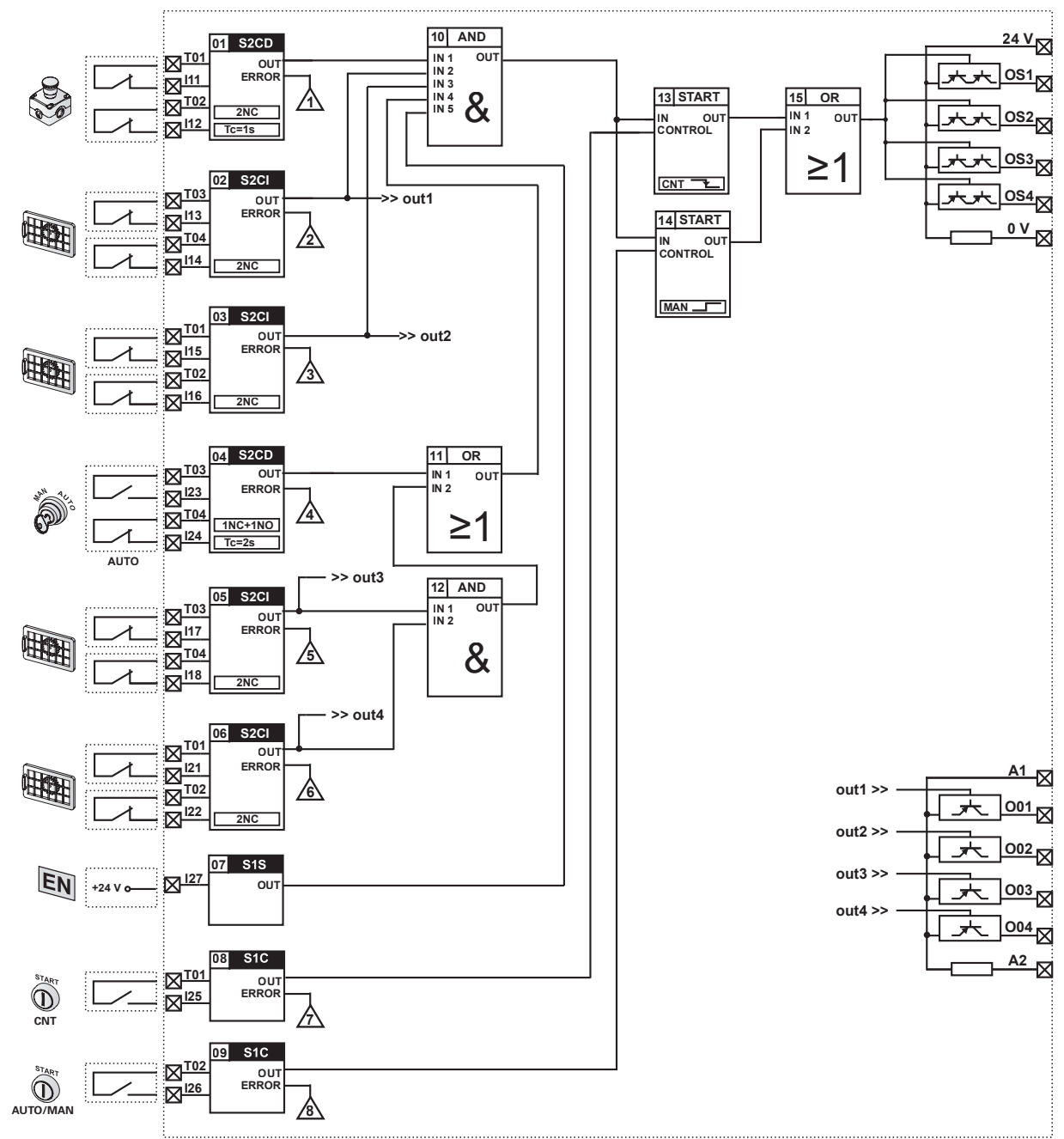
Outputs

- 4 PNP safety outputs
- 4 PNP signalling outputs

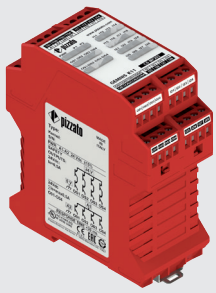
Technical data: see CS MP202M0
 Dimensions, cable cross sections, terminal tightening torque: page 415, design C
 Internal wiring diagram: page 418
 Terminal layout: page 418

Application program: P2

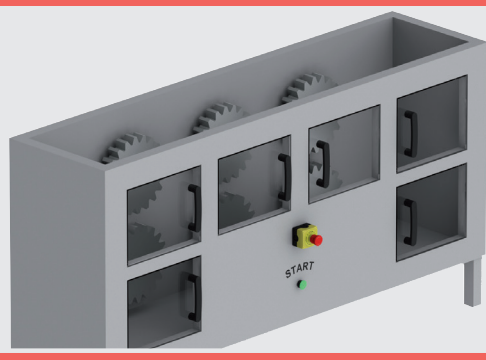
The application program stored in the module executes one or more safety functions, as shown in the following block diagram:



CS MF202M0-P3 pre-programmed module



Product code
CS MF202M0-P3



Main functions

- Monitoring of 6 guards (2NC contacts)
- 1 emergency stop
- Automatic start or monitored manual start

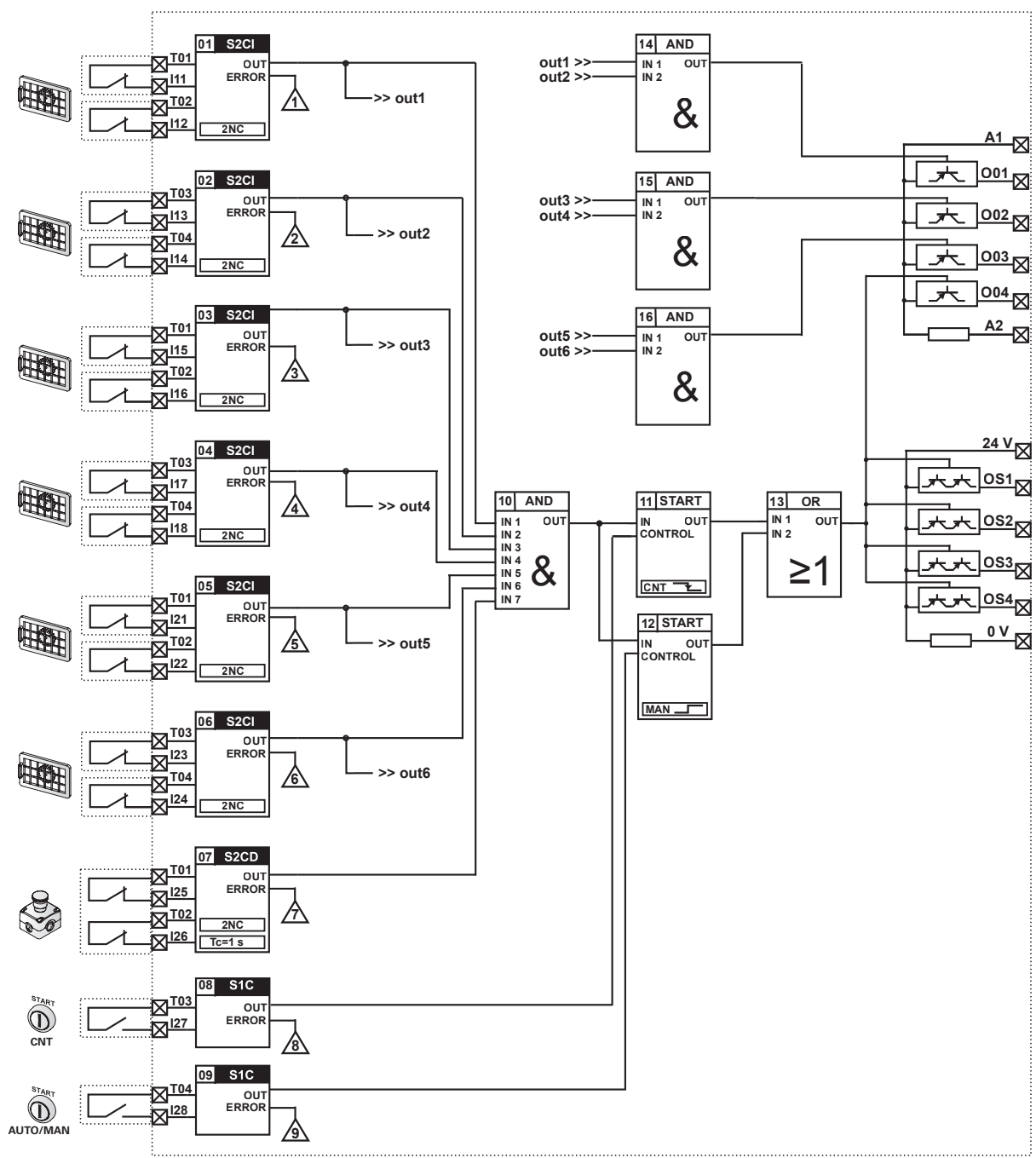
Outputs

- 4 PNP safety outputs
- 4 PNP signalling outputs

Technical data: see CS MP202M0
 Dimensions, cable cross sections, terminal tightening torque: page 415, design C
 Internal wiring diagram: page 418
 Terminal layout: page 418

Application program: P3

The application program stored in the module executes one or more safety functions, as shown in the following block diagram:





Product code
CS MF202M0-P4

Main functions

- Monitoring of 6 guards (1NC+1NO contacts)
- 1 emergency stop
- Automatic start or monitored manual start

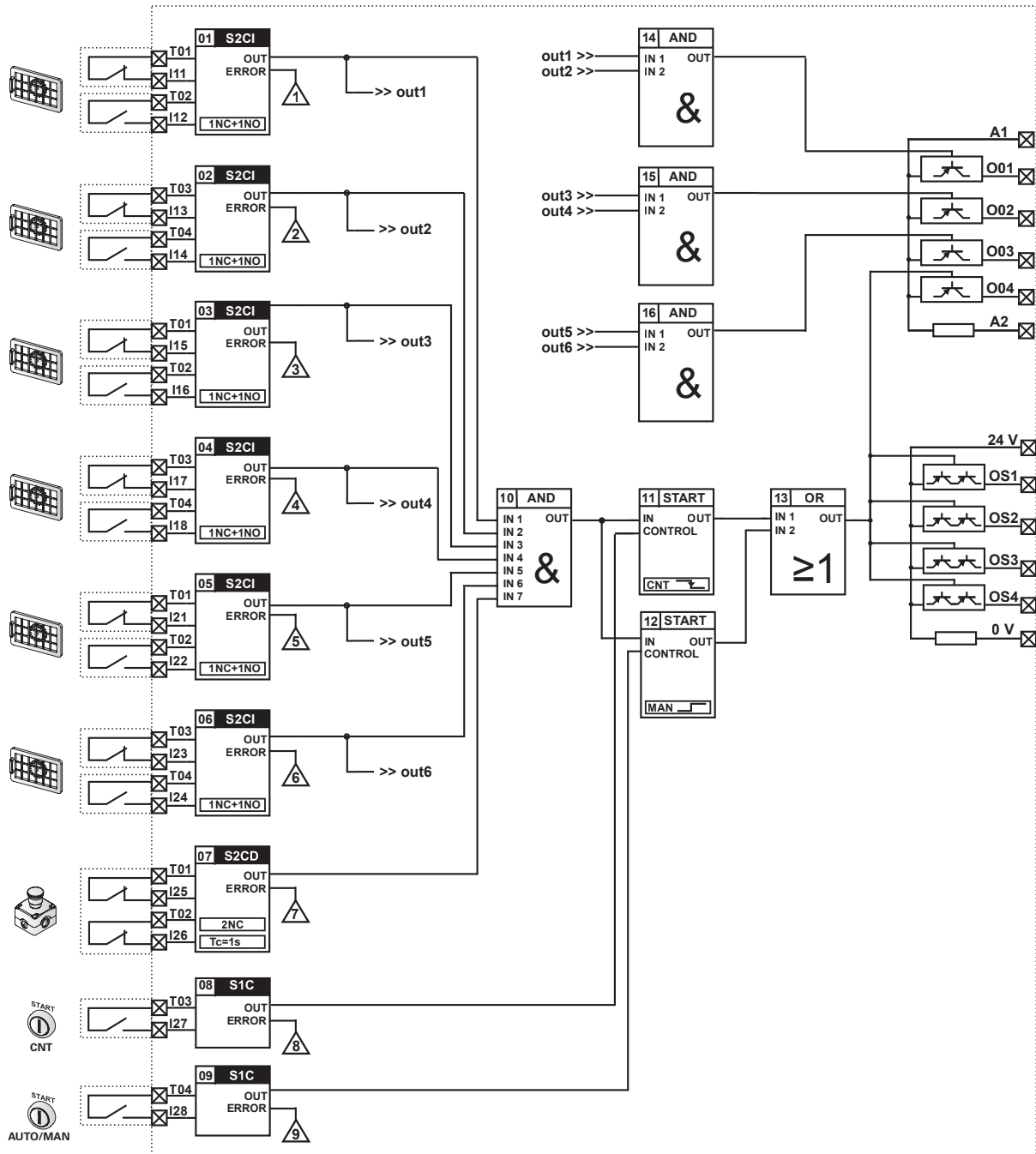
Outputs

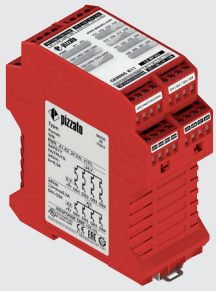
- 4 PNP safety outputs
- 4 PNP signalling outputs

Technical data: see CS MP202M0
Dimensions, cable cross sections, terminal tightening torque: page 415, design C
Internal wiring diagram: page 418
Terminal layout: page 418

Application program: P4

The application program stored in the module executes one or more safety functions, as shown in the following block diagram:





Product code
CS MF202M0-P5



Main functions

- Monitoring of 4 guards with independent outputs
- 1 bypass selector
- 1 emergency stop
- Automatic start or monitored manual start
- General enabling signal

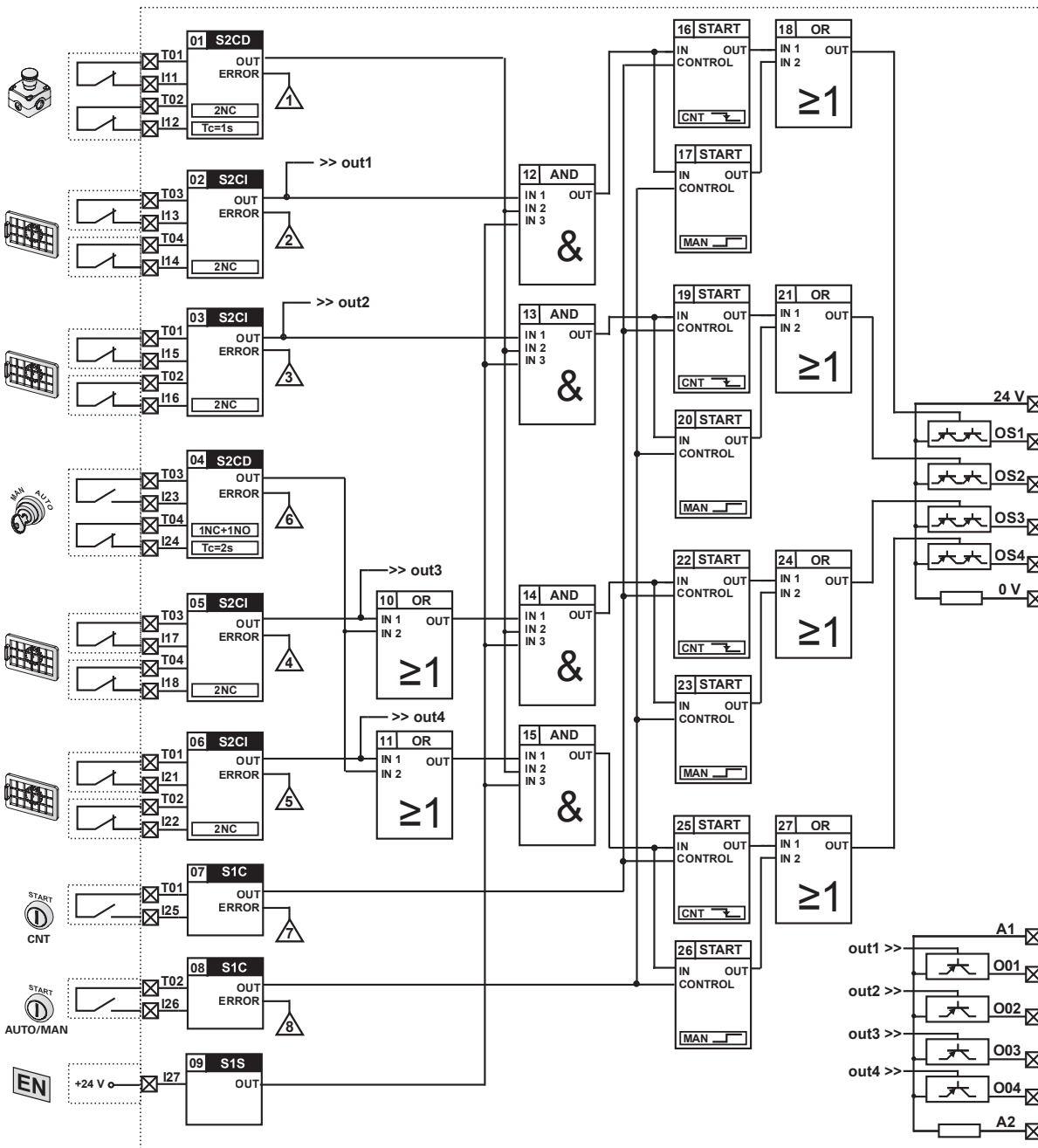
Outputs

- 4 PNP safety outputs
- 4 PNP signalling outputs

Technical data: see CS MP202M0
Dimensions, cable cross sections, terminal tightening torque: page 415, design C
Internal wiring diagram: page 418
Terminal layout: page 418

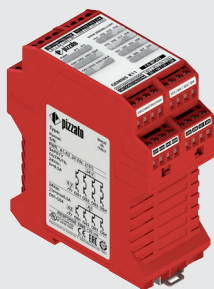
Application program: P5

The application program stored in the module executes one or more safety functions, as shown in the following block diagram:

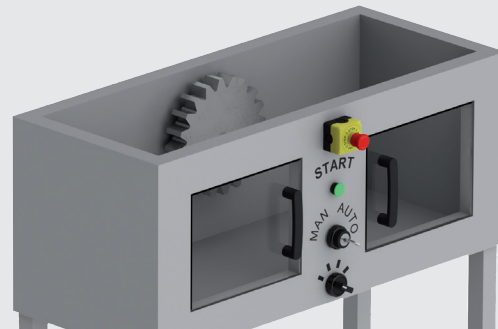




CS MF202M0-P6 pre-programmed module



Product code
CS MF202M0-P6



Main functions

- Monitoring of 2 guards
- 1 bypass
- 1 emergency stop
- Automatic start or monitored manual start
- General enabling signal
- Selectable On/Off delay
- Selector switch with 4 times

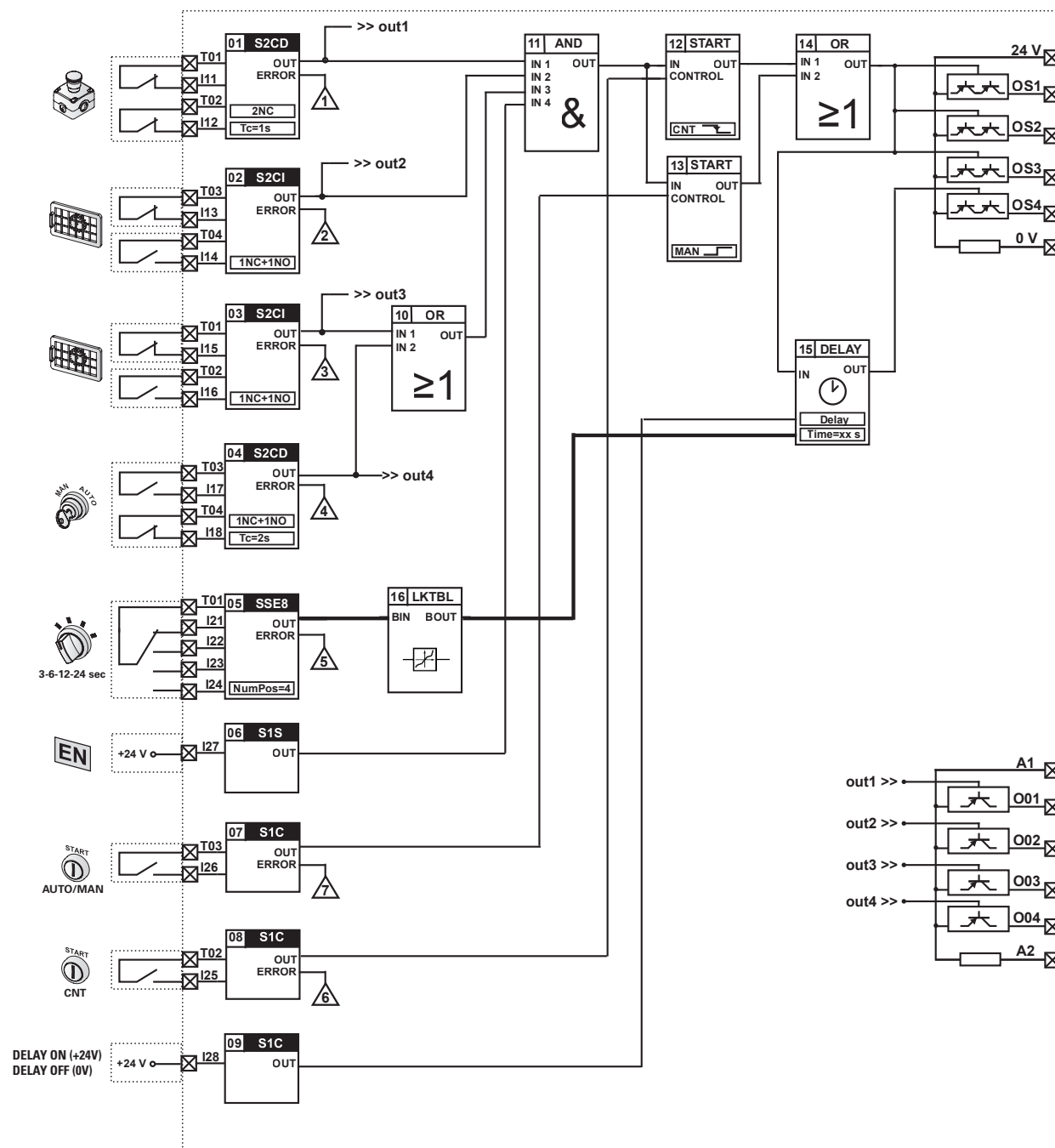
Outputs

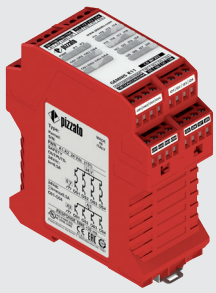
- Three instantaneous outputs and one delayed PNP safety output
- 4 PNP signalling outputs

Technical data: see CS MP202M0
 Dimensions, cable cross sections, terminal tightening torque: page 415, design C
 Internal wiring diagram: page 418
 Terminal layout: page 418

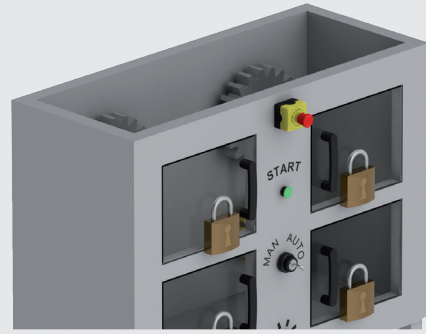
Application program: P6

The application program stored in the module executes one or more safety functions, as shown in the following block diagram:





Product code
CS MF202M0-P7



Main functions

- Monitoring of 4 guards with switches with guard locking, operating principle "D" (guard locked if solenoid is de-energised)
- 1 emergency stop
- Monitored start

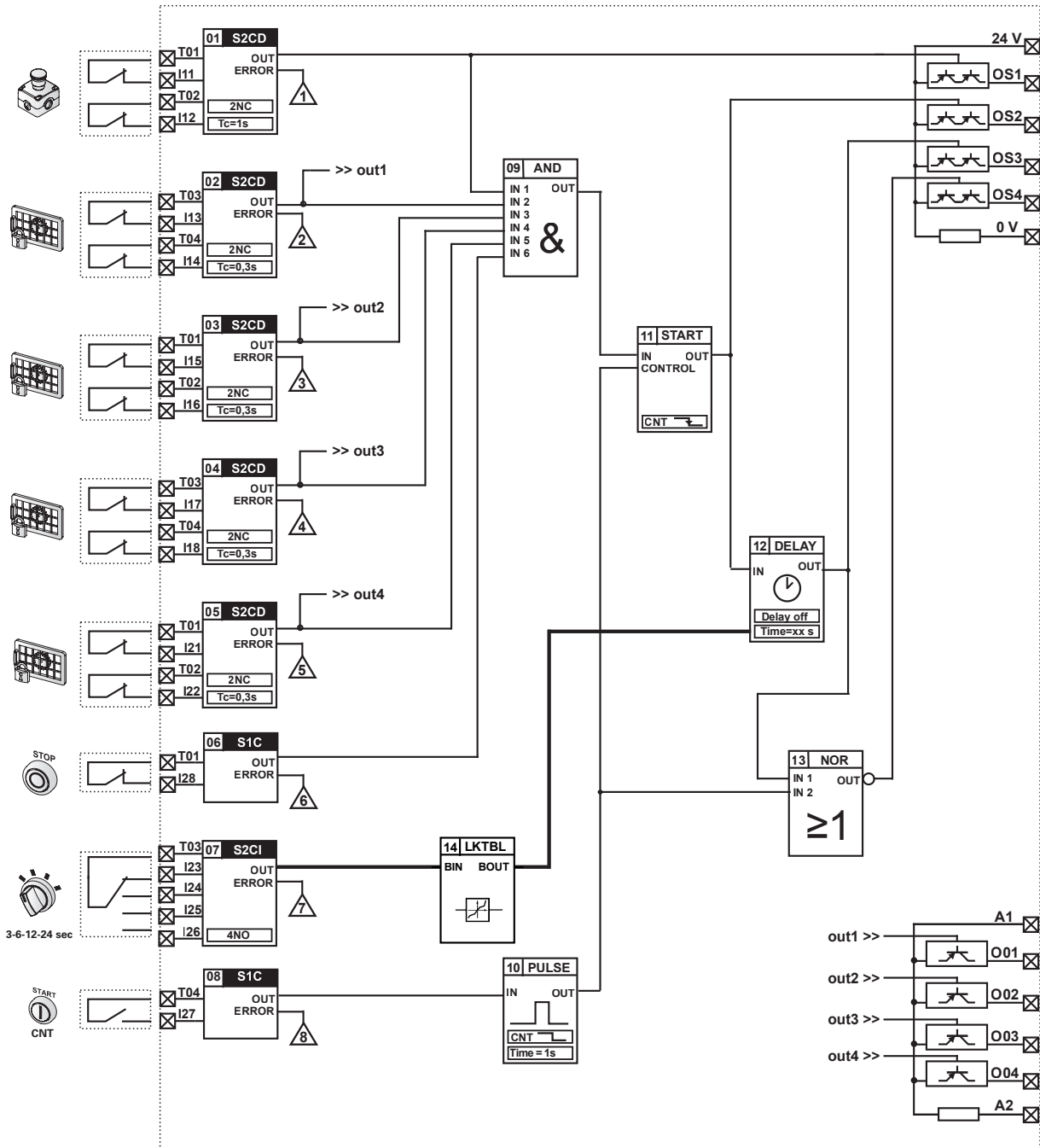
Outputs

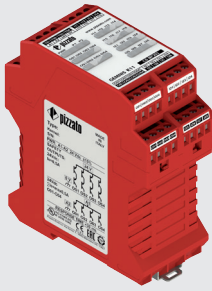
- 2 instantaneous outputs and 2 delayed PNP safety outputs with selector switch with 4 times
- 4 PNP signalling outputs
- OS4 output for door locking control

Technical data: see CS MP202M0
Dimensions, cable cross sections, terminal tightening torque: page 415, design C
Internal wiring diagram: page 418
Terminal layout: page 418

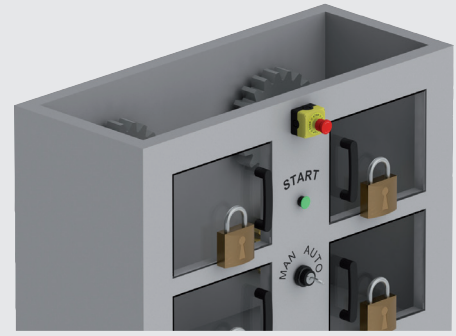
Application program: P7

The application program stored in the module executes one or more safety functions, as shown in the following block diagram:





Product code
CS MF202M0-P8



Main functions

- Monitoring of 4 guards with switches with guard locking, operating principle "E" (guard locked if solenoid is energised)
- 1 emergency stop
- Monitored start

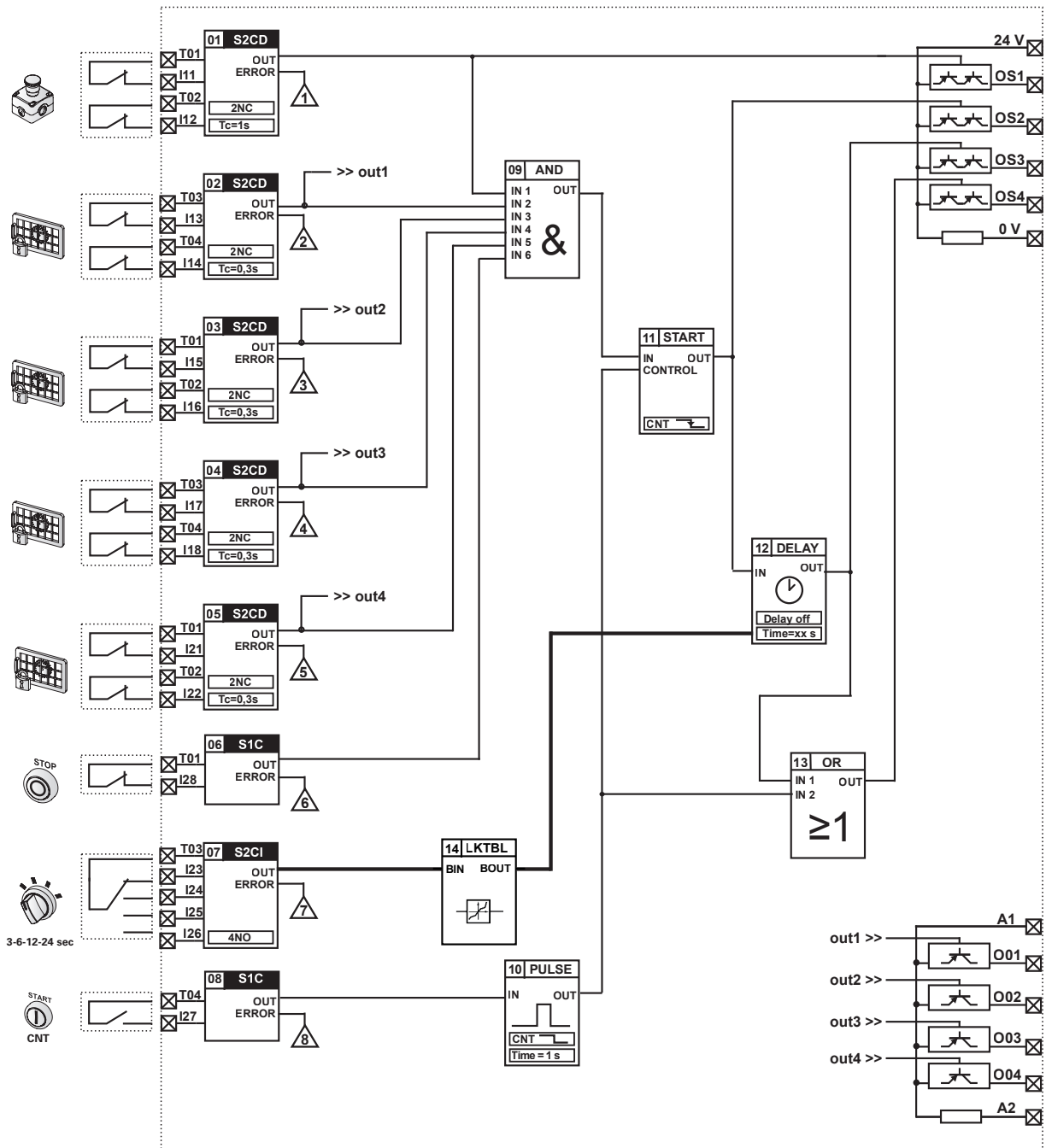
Outputs

- 2 instantaneous outputs and 2 delayed PNP safety outputs with selector switch with 4 times
- 4 PNP signalling outputs
- OS4 output for door locking control

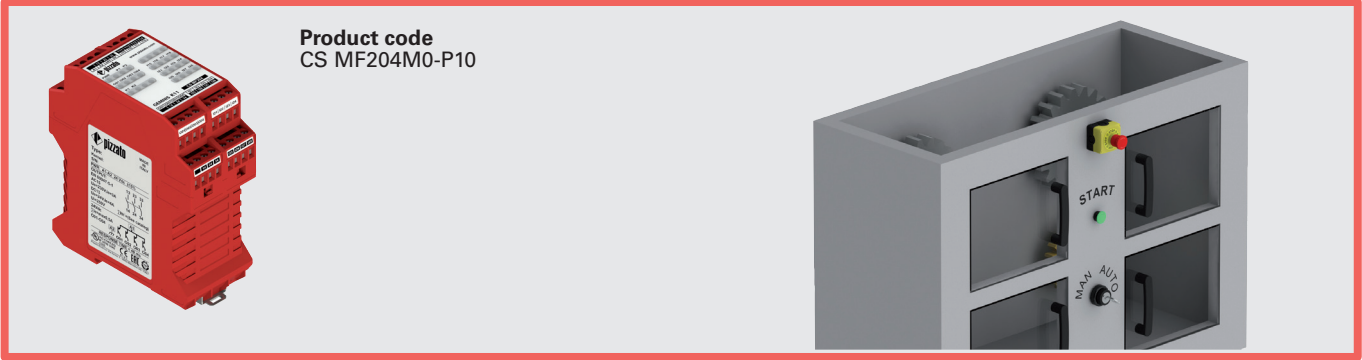
Technical data: see CS MP202M0
Dimensions, cable cross sections, terminal tightening torque: page 415, design C
Internal wiring diagram: page 418
Terminal layout: page 418

Application program: P8

The application program stored in the module executes one or more safety functions, as shown in the following block diagram:



CS MF204M0-P10 pre-programmed module



Product code
CS MF204M0-P10

Main functions

- Monitoring of 4 guards in AND (OSSD outputs)
- 1 emergency stop
- Automatic start or monitored manual start

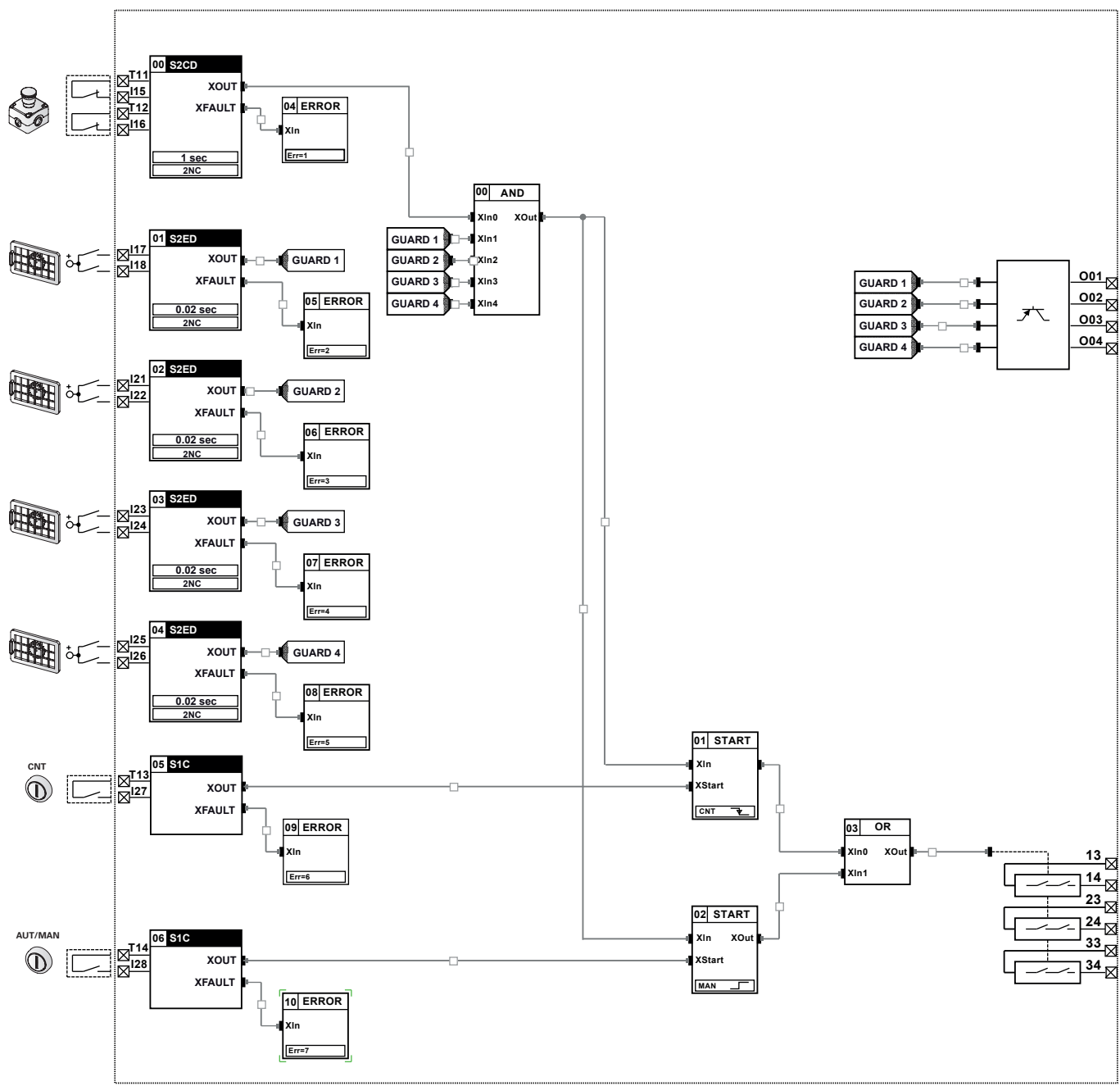
Outputs

- 3NO safety outputs
- 4 PNP signalling outputs

Technical data: see CS MP204M0
 Dimensions, cable cross sections, terminal tightening torque: page 415, design C
 Internal wiring diagram: page 418
 Terminal layout: page 418

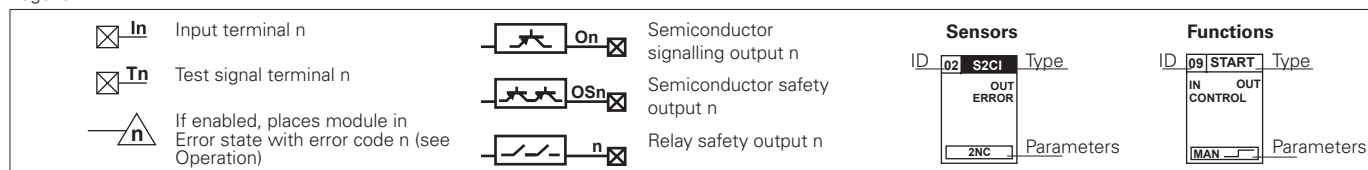
Application program: P10

The application program stored in the module executes one or more safety functions, as shown in the following block diagram:



Notes:The positions of the contacts shown in the diagram are shown only as examples, and they refer to expected working conditions, with machinery in operation, guards closed, and safety devices not activated. For further explanations, please see documentation relating to each specific safety function (page 399).

Legend



Definitions

Application program: The internal software component of this module which is aimed at the application.
 "Power On" state: The device state, which lasts from the time it is switched on until the end of the internal controls.
 "Run" state: The device state on completion of the "Power-On" phase (if no errors have been detected) in which the Application program is run.
 "Error" state: The device state when a fault is detected. In this state, the module switches to the safe state, i.e., all safety outputs are open.
 Fault: A fault can be internal or external to the safety module. Internal faults are autonomously detected by the module thanks to its redundant and self-monitored structure. An external fault can be detected by the application program. It follows that the definition of external fault is strictly dependent on the application (see note A).

Operation

When supplied with power, the module enters the Power-On state and runs an internal self-diagnosis. In this phase, the two processor LEDs (P1, P2) remain illuminated red for about 1 second. If the internal tests are completed without malfunction, the two LEDs are switched off, the module enters the Run state, and runs the application program. If the start tests are not passed, the module enters the Error state and the malfunction is indicated by the processor LEDs remaining illuminated red.
 The green LEDs relating to the power supply and the module inputs are not controlled by processors, and they immediately begin indicating the states of the respective inputs/outputs.
 When the module is in the RUN state, and no faults are detected, the two LEDs (P1, P2) remain switched off.
 In the Run state, the module can detect faults external to the module, for example caused by short circuits, or invalid input states (see note A). Depending on the fault type detected, the application program may place the module in error state, to indicate the malfunction. In this case, the application program can communicate an error code by making the LEDs (P1, P2) flash in sequence.
 During the Run state, simultaneously with application program execution, the module constantly runs a series of internal tests to check for correct hardware operation. If a malfunction is detected, the module state changes to Error.
 Once in Error state, the module is placed in a safe condition, that is with all the safety outputs open; the application program is no longer evaluated, and neither are the system inputs. Furthermore, the semiconductor signalling outputs are left unaltered (changes in inputs do not affect them) at the value imposed by the application program before entering the error state. To reset the module, just switch it off for the required duration (see technical data) and then switch it on again.

Note A:A short circuit is not always a fault. For example, in the case of an ordinary push button for emergency stops equipped with two NC contacts, contact opening is the signal to be evaluated and a short circuit between the two contacts is a fault. In contrast, in the case of a safety mat with 4-wire technology, the opposite is true, i.e. a short circuit between the wires is the signal to be evaluated whereas wire interruption is a fault.

Fault signalling

LED PWR	LED P1 and P2	Possible fault cause
Off ○	Off ○	No power supply, incorrect connections, power wires cut, external fuses broken. Module fault.
Green ●	Off ○	Normal operation.
Green ●	Red ●	Non-restorable fault. Recommended action: Send module for repair.
Green ●	Red x 1 ●))) 1 Blue x 1 ●))) 1	Restorable fault: Overcurrent on Tx or Ox outputs. Recommended action: Disconnect the semiconductor signalling outputs (Ox) and the test outputs (Tx) to check whether an external short circuit is present.
Green ●	Red x 1 ●))) 1 Blue x 2 ●))) 2	Restorable fault. Problem detected on OSx (short circuit towards earth or positive pole, or else short circuit between two OSx). Suggested action: Disconnect the safety outputs to check if there are any problems on the external connections of the OSx outputs.
Green ●	Red x 1 ●))) 1 Blue x 3 ●))) 3	Restorable fault. Module temperature outside the limits. Recommended action: Restore module temperature to within permissible limits.
Green ●	Red x 1 ●))) 1 Blue x 4 ●))) 4	Restorable fault: No power on 24V-0V terminals. Recommended action: Check the electrical connections.
Green ●	Blue x N ●))) N	Module entered Error state at the request of the application program. Error code N. Typically due to incorrect input conditions (external short circuits, status not permitted). Recommended action: Disconnect the inputs to find any short circuits. Check the documentation supplied with the application program for further details.

**Quick description of the main safety functions (CS MF•••••)****SENSORS**

Sensor	S1C	Monitoring of one contact
Outputs	OUT	The OUT output is active when the input is closed and there is no error
	ERROR	The ERROR output is active in the case where an electrical malfunction is detected in the input signal
Parameters	None	
Examples		Start button; Stop button; Simple contact

Sensor	S1S	Monitoring of one static signal
Outputs	OUT	The OUT output is active if 24 Vdc is applied to the input
Parameters	None	
Examples		Generic sensors with PNP output; Enabling signals

Sensor	S2CD	Monitoring of two dependent contacts
Outputs	OUT	The OUT output is active when both inputs are in normal or safety state and there is no error
	ERROR	The ERROR output is active in the case where simultaneity times are not respected, or in the case where an electrical malfunction is detected at the input signals
Parameters	2NC / 1NO+1NC	Contact position in normal or safety state
	Tc	Max. time of simultaneity in seconds
Examples		Emergency stop button; rope switch; switch with two connected contacts; mode selectors with two settings, changeover; two individual switches with a time dependency

Sensor	S2CI	Monitoring of two independent contacts
Outputs	OUT	The OUT output is active when both inputs are in normal or safety state and there is no error
	ERROR	The ERROR output is active in the case where an electrical malfunction is detected in the input signals
Parameters	2NC / 1NO+1NC	Contact position in normal or safety state
Examples		Two switches; Magnetic sensor

Sensor	SSE8	Mode selector with 2 to 8 positions
Outputs	OUT	The output gives a numerical value of 1 to 8 corresponding to the active input, 0 in case of error
	ERROR	The ERROR output is active if multiple inputs are active or if no input is active, or if an electrical failure is detected in the input signals
Parameters	NumPos	Number of input signals (2 to 8)
Examples		Mode selectors with a common contact and between 2 and 8 outputs

FUNCTIONS

Function	AND	AND logical function
Outputs	OUT	The OUT output is only active if all IN input signals are present

Function	DELAY	Delayed process activation/deactivation
Outputs	OUT	The OUT output is activated if a signal is present at the IN input with a delay of Td (parameter type Don) If the signal at the IN input drops out, the OUT output is deactivated with a delay of Td (parameter type Doff)
	Parameters	Don / Doff Td

Function	NOR	NOR logical function
Outputs	OUT	The OUT output is only active in the absence of all IN input signals

Function	OR	OR logical function
Outputs	OUT	The OUT output is only active if at least one IN input signal is present

Function	PULSE	Activation of a process for a short time
Outputs	OUT	The OUT output is activated on the IN signal falling edge and remains active for the time set by Tp
Parameters	Tp	Pulse duration

Function	START	Activation of a process
Outputs	OUT	The OUT output is activated by the edge (see parameters) of the CONTROL signal if the IN input signal is present. Thus, it remains active as long as the signal is present at IN
Parameters	MAN / CNT	MAN = activation on rising edge, CNT = activation on falling edge

Function	LKTBL	Lookup table; Conversion table between data of the same type
Outputs	BOUT	Converted data at output. Initial value = 0
Parameters	Number of data	Number of data present in the table

Disclaimer:

Subject to modifications without prior notice and errors excepted. The data given in this sheet are accurately checked and refer to typical mass production values. The device descriptions and its applications, the fields of application, the external control details, as well as information on installation and operation, are provided to the best of our knowledge. This does not in any way mean that the characteristics described may entail legal liabilities extending beyond the "General Terms of Sale", as stated in the Pizzato Elettrica general catalogue. The customers/user is required to read our information and recommendations as well as the pertinent technical provisions before using the products for his own purposes.

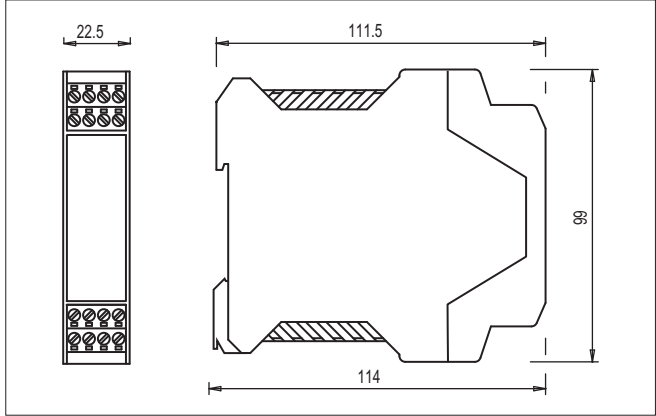
Design A, housing width 22.5 mm

Connection data

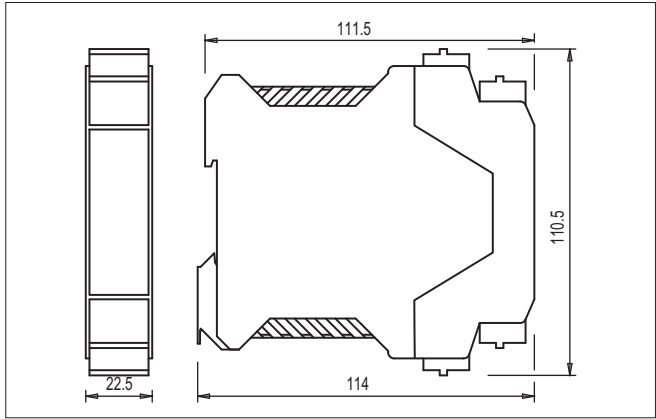
Terminal tightening torque:	0.5 ... 0.6 Nm
Cable cross section:	0.2...2.5 mm ² 24...12 AWG

Installation

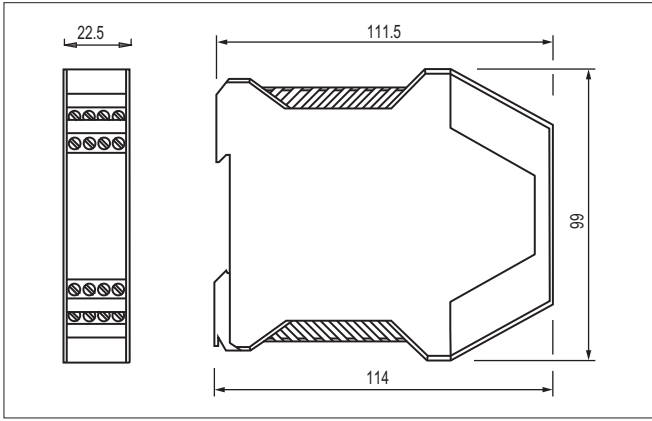
Snap-mounting on DIN rails



Connector with screw terminals



Connector with spring terminals



Screw terminals

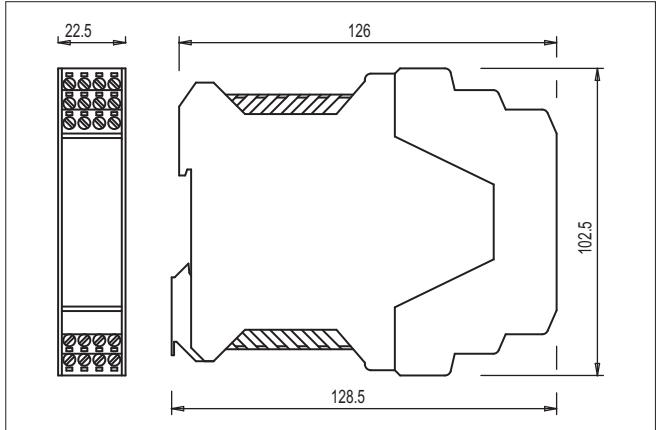
Design B, housing width 22.5 mm

Connection data

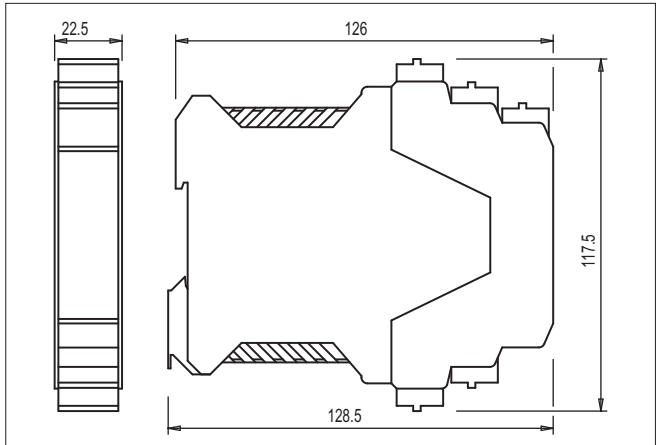
Terminal tightening torque:	0.5 ... 0.6 Nm
Cable cross section:	0.2...2.5 mm ² 24...12 AWG

Installation

Snap-mounting on DIN rails



Connector with screw terminals



Connector with spring terminals

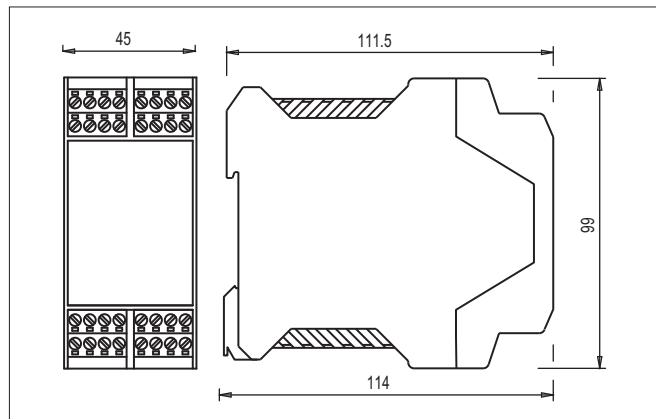
All values in the drawings are in mm



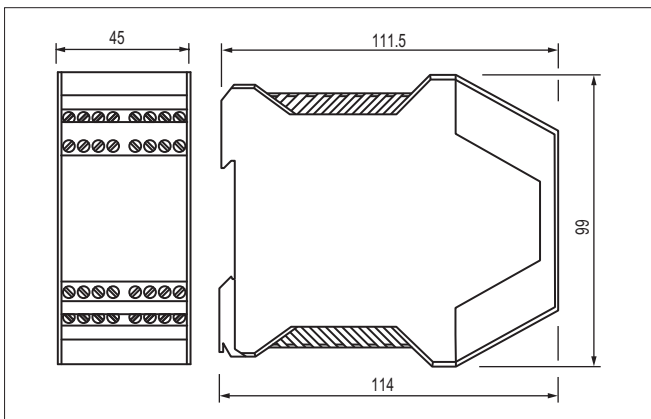
Design C, housing width 45 mm

Connection data
 Terminal tightening torque: 0.5 ... 0.6 Nm
 Cable cross section: 0.2...2.5 mm²
 24...12 AWG

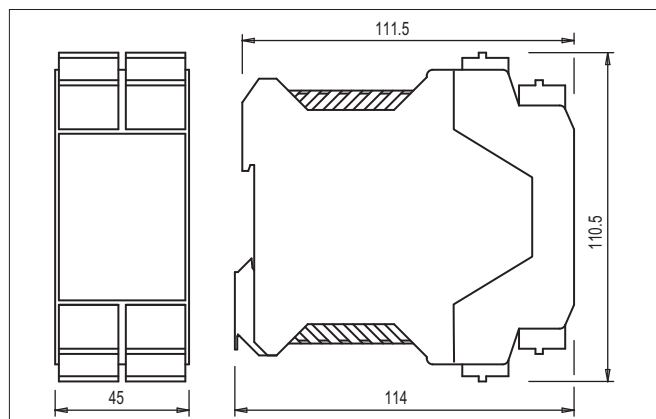
Installation
 Snap-mounting on DIN rails



Connector with screw terminals



Screw terminals

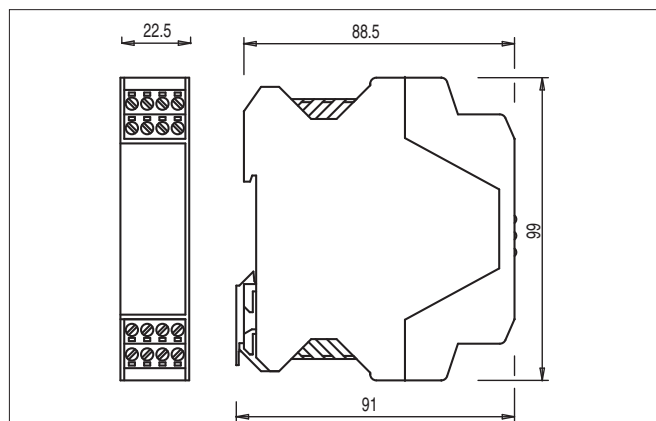


Connector with spring terminals

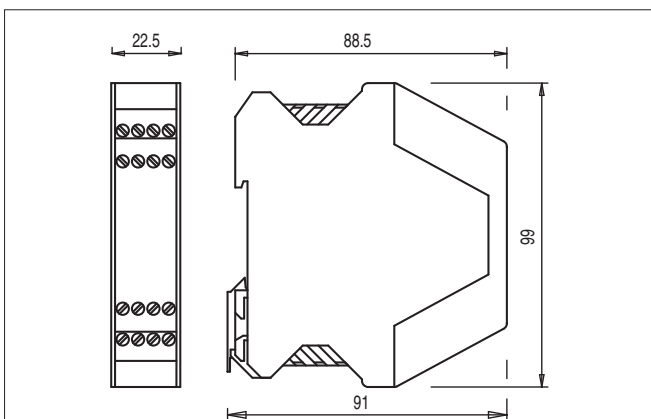
Design D, housing width 22.5 mm

Connection data
 Terminal tightening torque: 0.5 ... 0.6 Nm
 Cable cross section: 0.2...2.5 mm²
 24...12 AWG

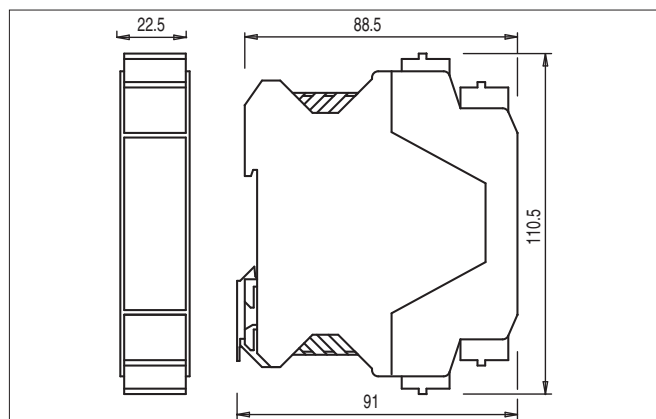
Installation
 Snap-mounting on DIN rails



Connector with screw terminals



Screw terminals



Connector with spring terminals

All values in the drawings are in mm

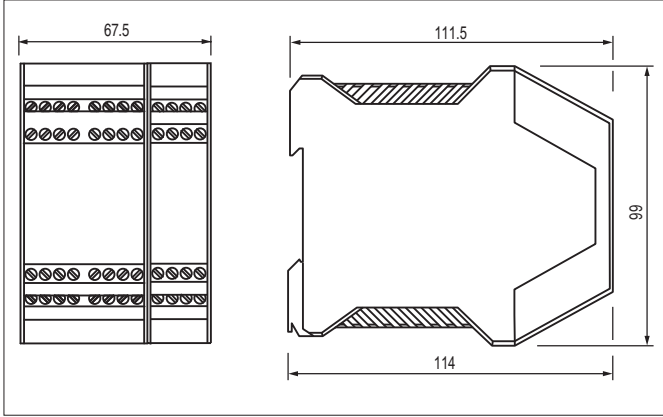
Design E, housing width 67.5 mm

Connection data

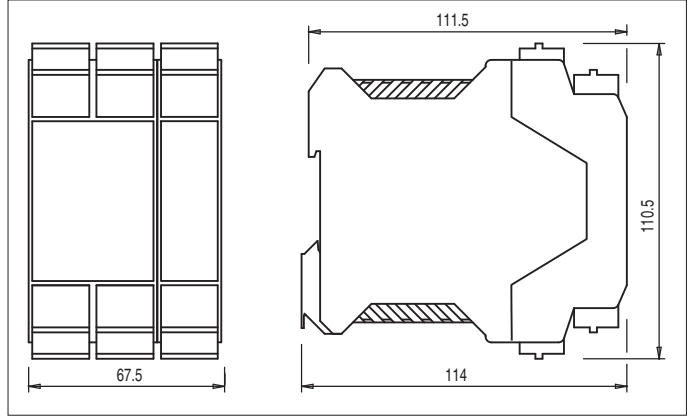
Terminal tightening torque:	0.5 ... 0.6 Nm
Cable cross section:	0.2...2.5 mm ² 24...12 AWG

Installation

Snap-mounting on DIN rails



Screw terminals



Connector with spring terminals

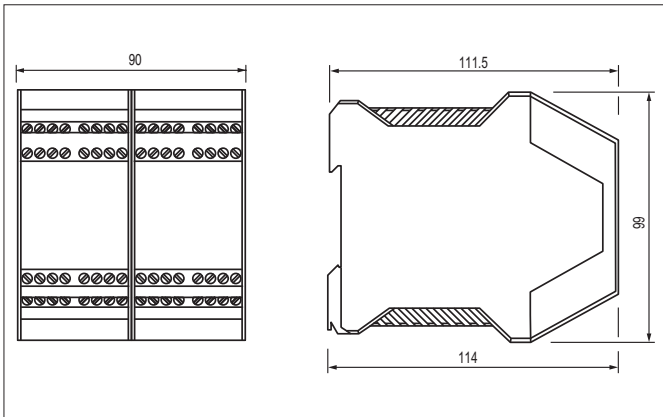
Design F, housing width 90 mm

Connection data

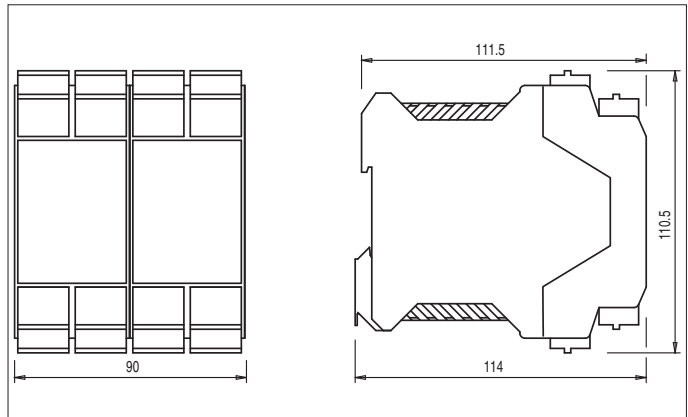
Terminal tightening torque:	0.5 ... 0.6 Nm
Cable cross section:	0.2...2.5 mm ² 24...12 AWG

Installation

Snap-mounting on DIN rails



Screw terminals

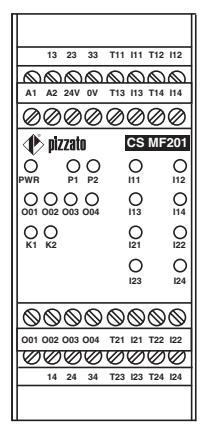


Connector with spring terminals

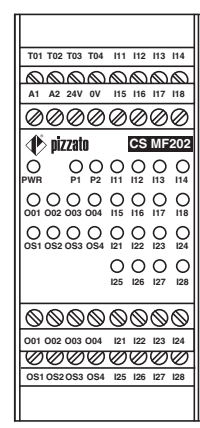
All values in the drawings are in mm



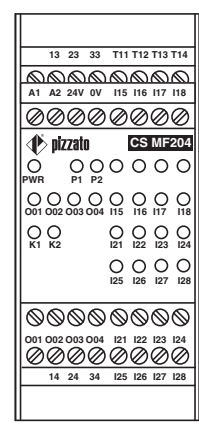
Pin assignment CS MF series



CS MF201

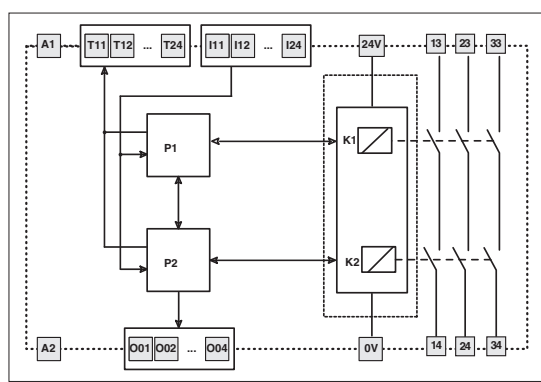


CS MF202

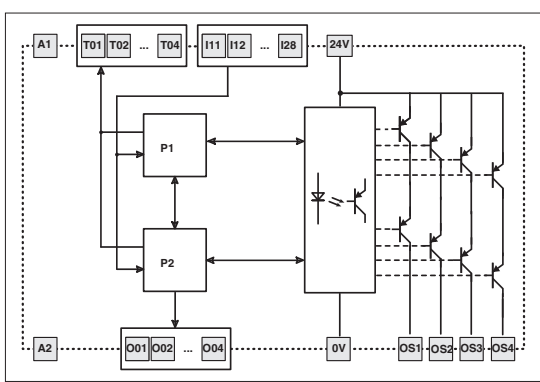


CS MF204

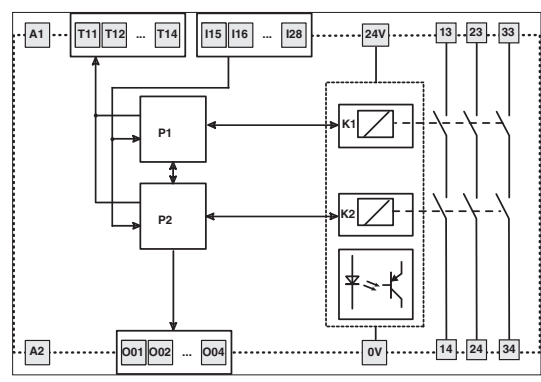
CS MF series internal block diagram



CS MF201



CS MF202



CS MF204