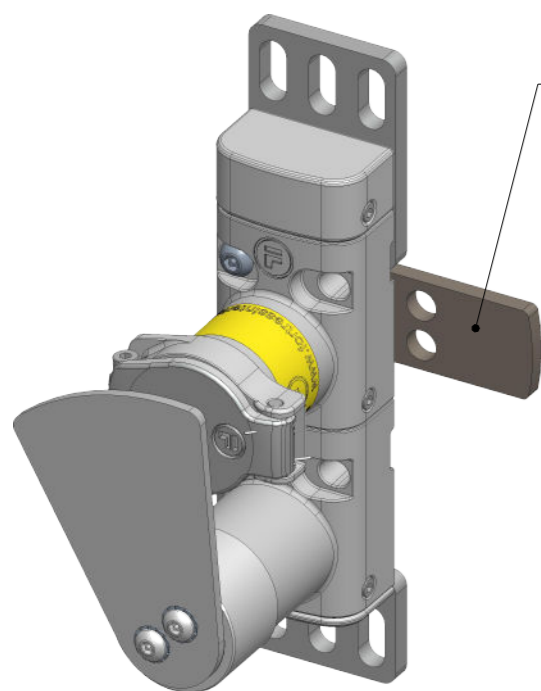
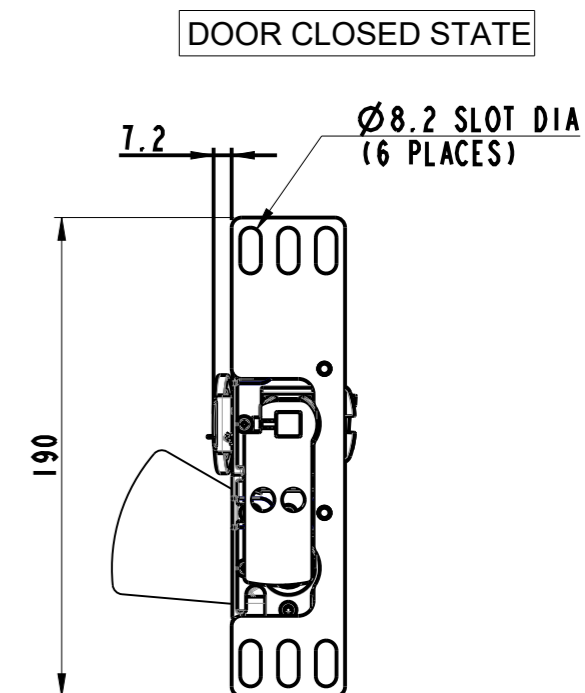
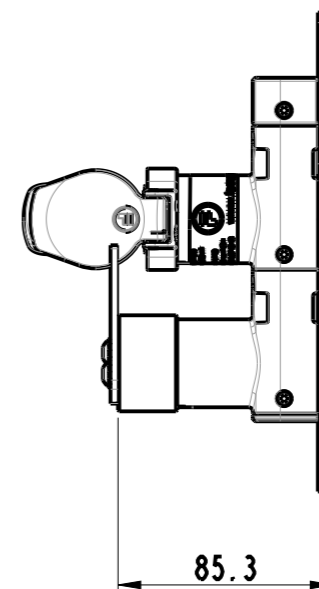
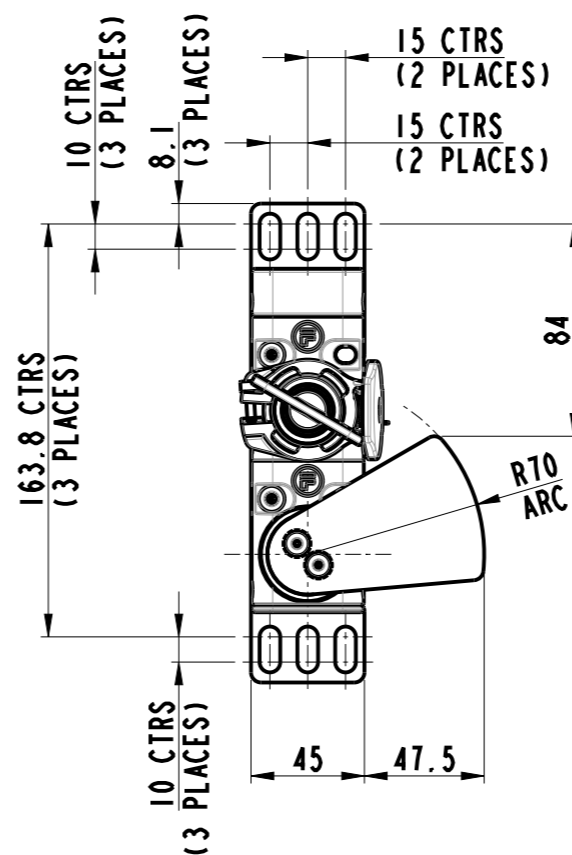
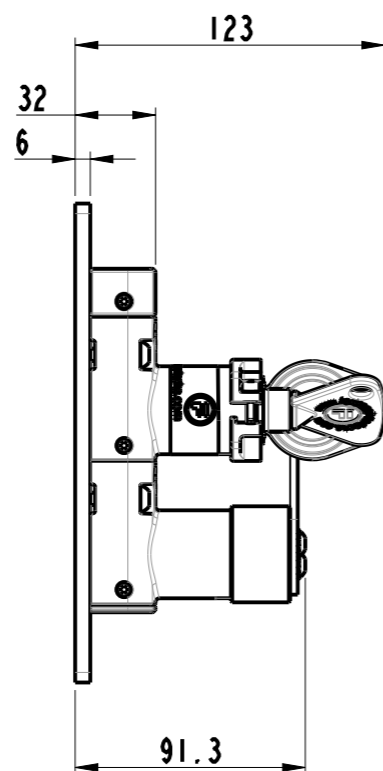


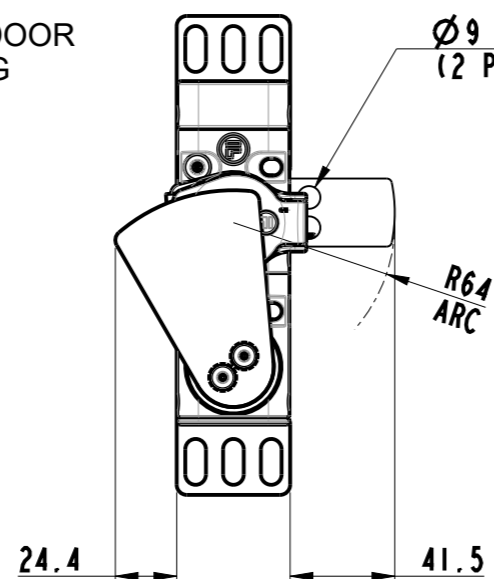
PADDLE PLATE ENGAGED AND PREVENTING DOOR FROM OPENING FULLY

SCALE 0.500



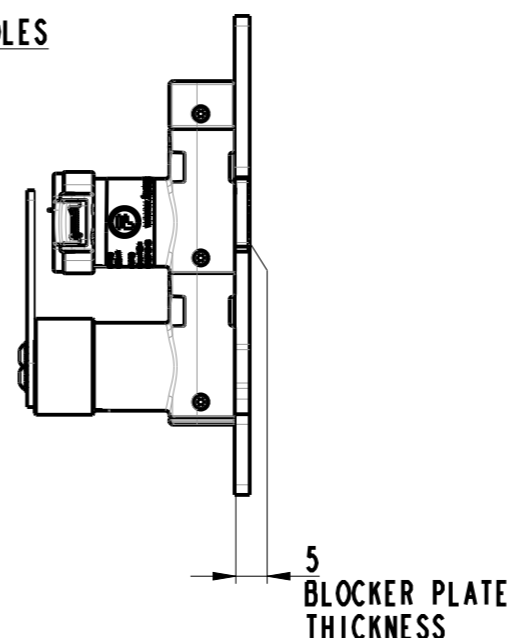
BLOCKER PLATE ENGAGED AND PREVENTING DOOR FROM CLOSING

SCALE 0.500

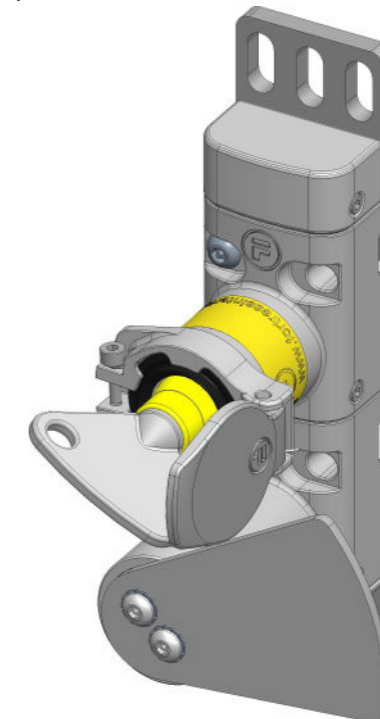


Ø9 PADLOCK HOLES (2 PLACES)

DOOR OPEN STATE



IBL SHOWN IN RIGHT HAND FACING CONFIGURATION (EXAMPLE PART NUMBER: IBL4H-1-1-CLSS-MP1)



DOOR ENTRANCE THIS SIDE OF DEVICE

SCALE 0.500