

ULISSE UPC

Order Code: 1200300

Safety Photocell, PNP output

Safety level
Type 2 - PL c

Sensor type
Photocells



Technical Description

Metal body

Features

Safety level	Type 2 - PL c
Max. range (m)	6
Safety level (SIL / PL)	Type 2 - SILCL 1 - PL c - Cat. 2 (when used with the AUSX, AUSXM ReeR modules and Mosaic)
Operating temperature (°C)	0 ... 55
Response time (ms)	8
Sensor type	Photocells
Safety output type	PNP, max 100 mA light on
MTTFD (ISO13849) years	100
PFHD (IEC 61508)	8,04E-09
Safety outputs	1 PNP max 100 mA light on
Safety functions	With external module
Detection	Access control
Protective enclosures	None
Packaging dimensions HxLxW (mm)	26 x 52 x 104
Product class	C
Custom tariff	85414090
Connection type	Connector

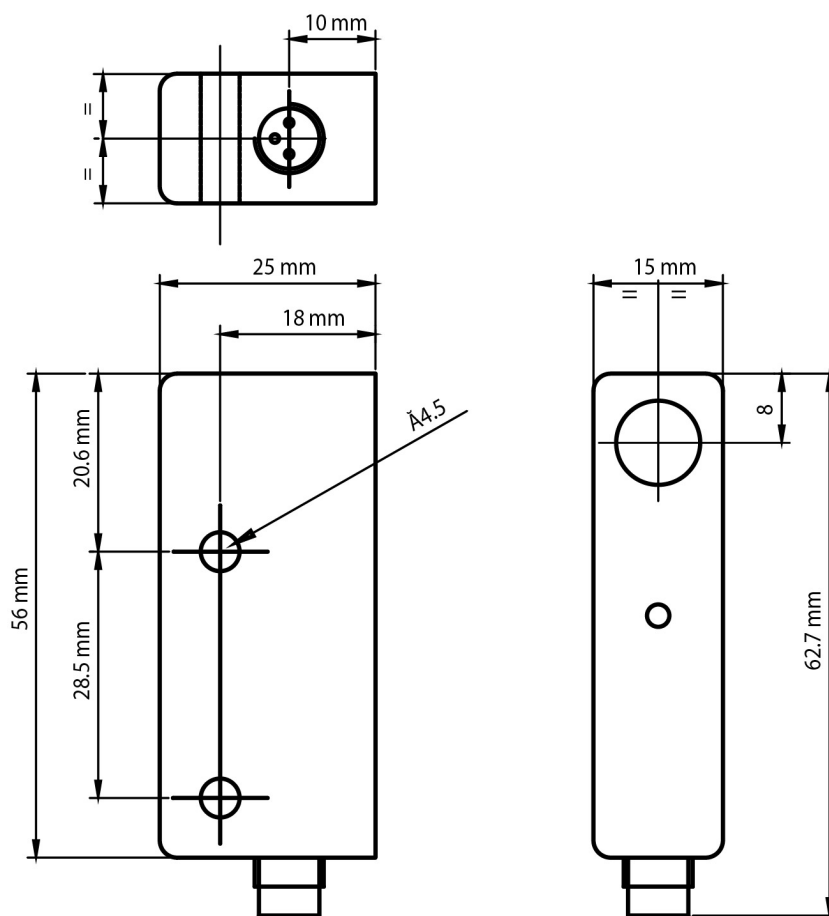
Electrical data

Power supply (VDC)	24 ± 20%
--------------------	----------

Mechanical data

Degree of protection	IP65
Fastening	A4.5 screws
Gross weight (g)	192,4

Technical drawings



Certificates

