

Description



The **P-KUBE Fast** safety handles are designed to install Pizzato Elettrica's FD, FG and FY series safety switches to machine guards quickly and easily, offering an effective solution to machine designers and installers for problems relating to the mechanical precision of guard movements, as well as for critical environmental conditions.

The P-KUBE Fast safety handles, unlike other products on the market, combine their compactness and lightness resulting from the sliding movement, with the robustness of the upper end models, which are distinguished by a higher weight, more bulky dimensions and greater constructive complexity.

Structure

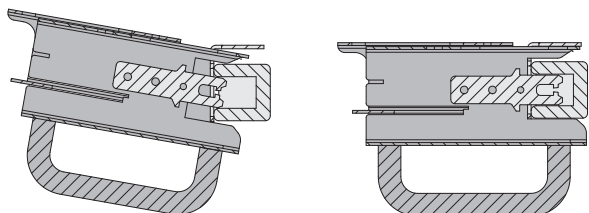
The P-KUBE Fast handle is light and compact, has a galvanized and painted metal frame and an ergonomic plastic or aluminium grip for comfortable and easy use of the door handle itself.

The absence of screws and removable components prevents any tampering.

Handle lock positions

There is a snap-on device that retains the handle in two positions: when it is pulled out, so as to contribute to the retaining force exerted by the actuator, and when retracted, to avoid undesirable movements caused by machine vibrations.

Centring

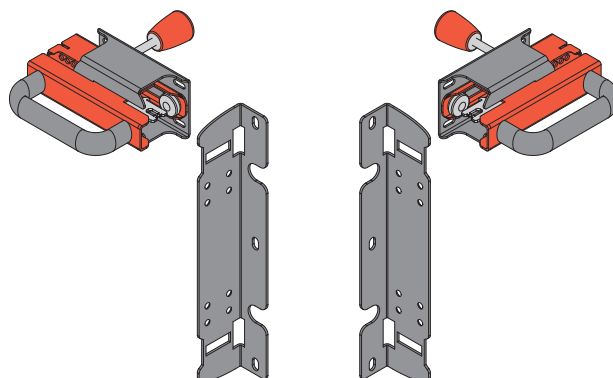


The "C"-shaped profile facilitates centring of the device when closing a guard that is not perfectly aligned with the frame. This enables an optimum alignment between actuator and switch, preventing any damage due to possible collisions.

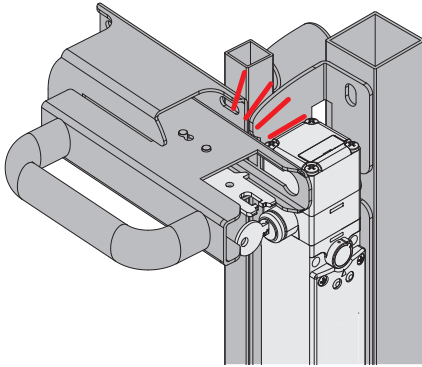
Flexibility during installation

Thanks to its symmetrical design the device can be installed on hinged and sliding doors, either with right or left closing, without requiring any further adjustment.

The slotted brackets and the large actuator travel (60 mm) allow the device to be installed and adjusted on profiles of various sizes.



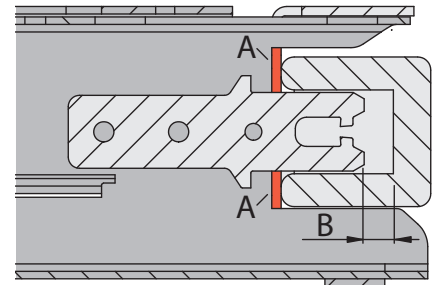
Protection of actuator and switch



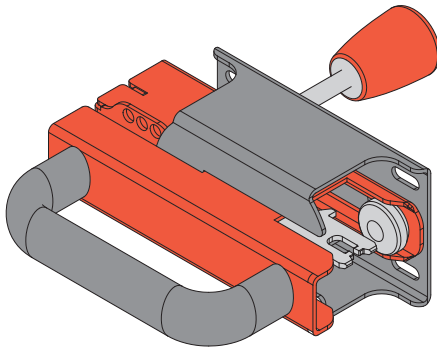
Thanks to the handle structure and the fixing bracket of the switch, both the switch and the actuator can be safely installed preventing any damage due to possible collisions. Any impacts resulting from incorrect actuation are completely absorbed on the handle frame.

Mechanical stop

During door closing, a mechanical stop (A) prevents possible impacts between the actuator and the switch by constantly ensuring a safety distance (B) between these two components and the switch housing.



Internal lever for emergency escape



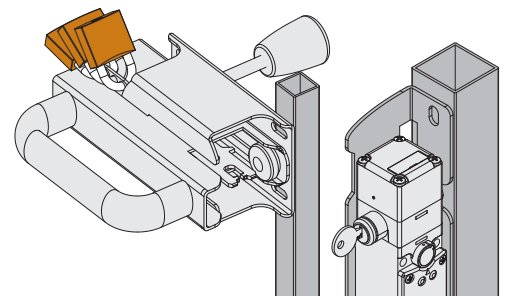
Optional lever for emergency opening from the inside: it ensures that operating personnel can exit the area should they accidentally become trapped within the dangerous area. It can be combined only with switches without lock (e.g. FD ●93-M2) or switches with escape release button (e.g. FG ●●●D6D●●).

Lock out device

The lock out device integrated in the structure of the P-KUBE Fast handles allows up to 6 padlocks to be hooked in with a shackle diameter of 6 mm to prevent unintentional closing of the guard.

When the lock out device is activated, the mechanical closing of the door and the electrical switching of the switch contacts is prevented.

The lock out device can only be unlocked when all locks have been removed, i.e. when all operators have left the danger zone.



Code structure

Attention! The feasibility of a code number does not mean the effective availability of a product. Please contact our sales office.

VF AP-S13BP-200

Mounting bracket supplied for installation

A	FD ••••
B	FG ••••••••, FY ••••••••

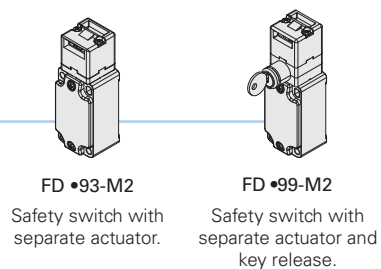
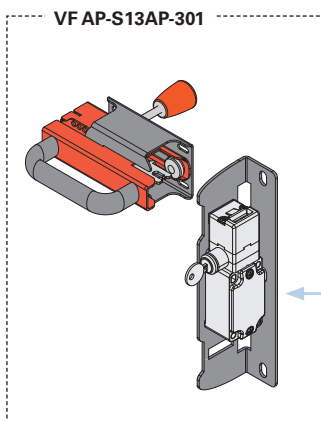
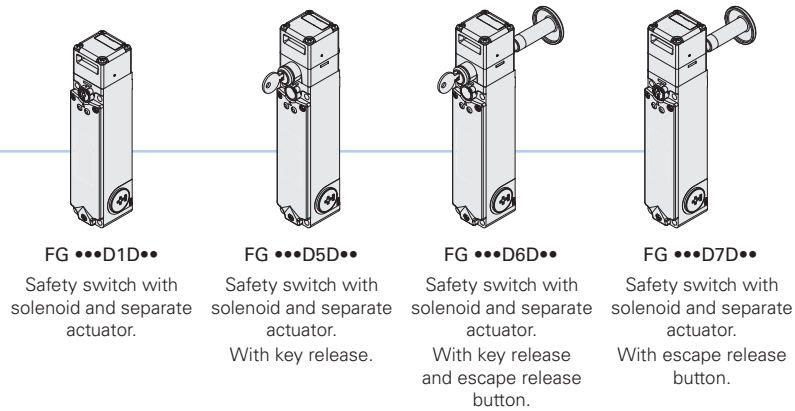
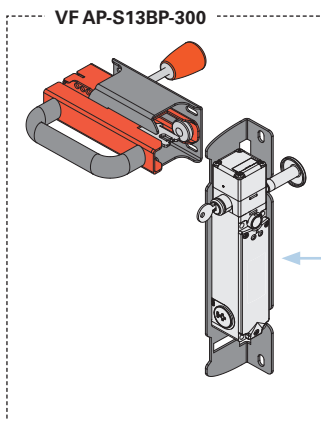
Internal lever for emergency escape

P	internal lever for emergency escape
Z	without internal lever for emergency escape

Plate configuration

001	without plate, with aluminium grip
002	without plate, with plastic grip
200	with plate for FG and FY: with screwed-on aluminium grip
201	with plate for FD: with screwed-on aluminium grip
300	with plate for FG and FY: with screwed-on plastic grip
301	with plate for FD: with screwed-on plastic grip

Note: the handle is supplied complete with switch actuator and fastening screws for fixing the switch to the plate.

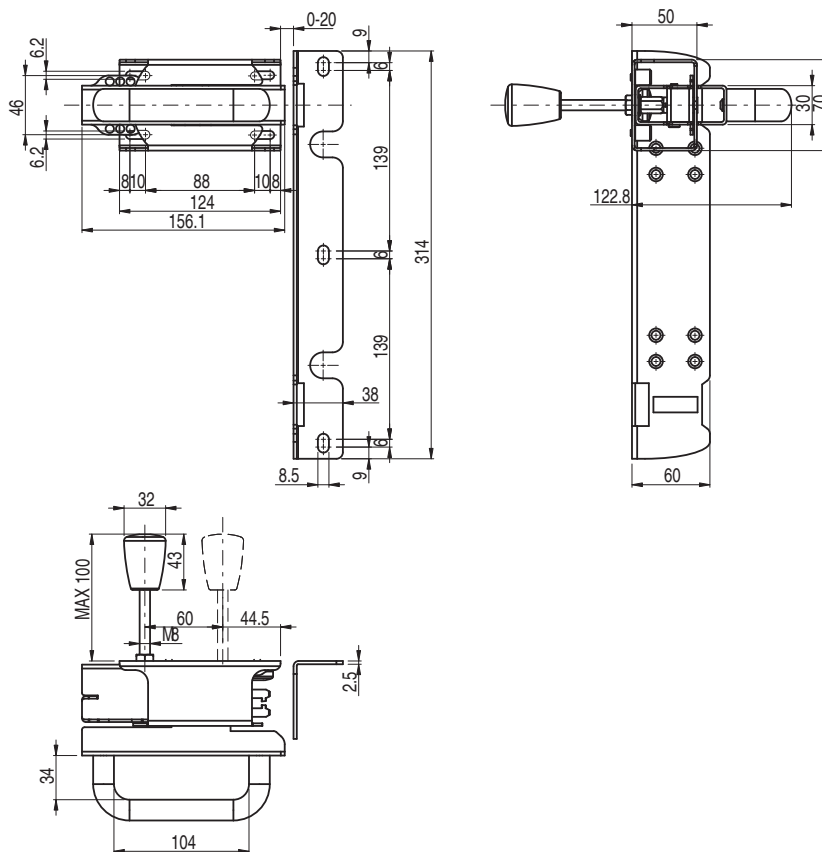


→ article sold separately

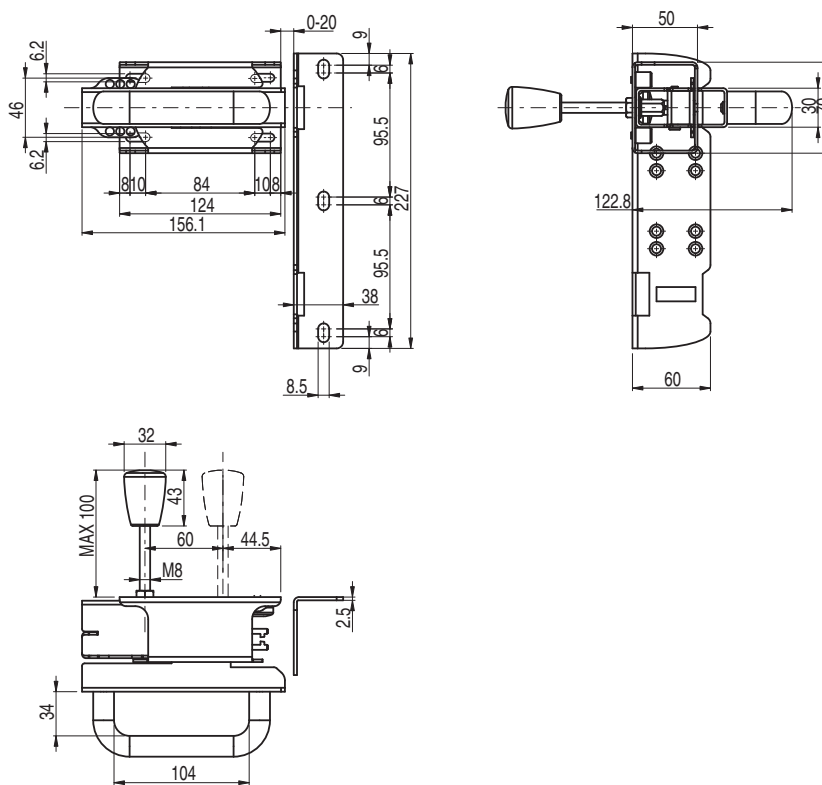
For articles and options of the FG series switches see page 123.
For articles and options of the FY series switches see page 139.
For articles and options of the FD series switches see page 17.

Dimensional drawings

Safety handle VF AP-S13BP-300



Safety handle VF AP-S13AP-301



All values in the drawings are in mm

Accessories See page 419

→ The 2D and 3D files are available at www.pizzato.com