



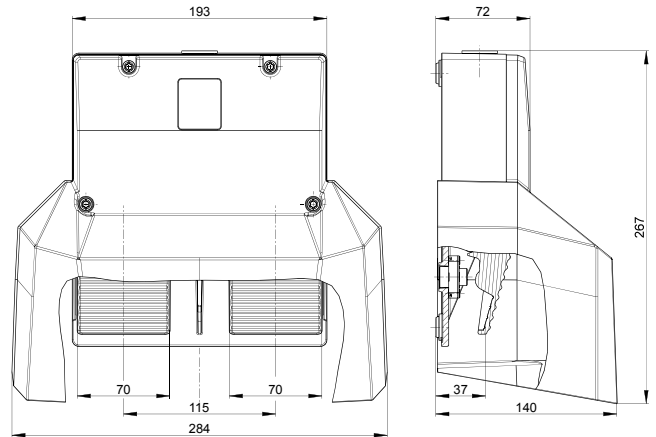
Foot switch with metal enclosure GFS 2 1ÖSD1ÖS/1ÖSD1ÖS

Material no.: 1048916 (material no. old: 82243001)

Product features

- With pressure point: 2-step switch
- 2-pedal type
- 4 contacts per pedal
- Metal enclosure
- With protective shield
- Low pedal height
- Wiring compartment

Dimensions



Technical data

Applied standards

EN 60947-5-1

Enclosure

aluminium die-cast, powder-coated

Pedal

thermoplastic, glass-fibre reinforced, shockproof, self-extinguishing UL 94 V-0

Protective shield

aluminium die-cast, powder-coated

Degree of protection

IP65 (IEC/EN 60529)

B_{10d} (10 % load)

2 million

T_M

max. 20 years

Connection

screw connection terminals

Cable cross-section

max. 2.5 mm² (incl. conductor ferrules)

Cable entry

1 x M25 x 1.5

Contact material

silver

Switching system

slow action, positive break NC contacts ⊖

Switch insert

2 x ES 40 GF per pedal

Switching elements

2-step switching: 1 NC/1 NO contact
pressure point: 1 NC/1 NO contact

Actuating force

pressure point approx. 245 N

Utilisation category

AC-15

Rated operating current/voltage I_e/U_e

6 A/400 VAC

Short-circuit protection

6 A gG/gN fuse

Ambient temperature

-25 °C ... +80 °C

Mechanical life

> 1 million operations

Approvals



Weight

2800 g

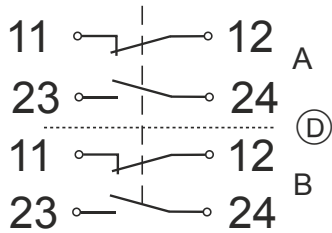
Errors and omissions excepted.



Foot switch with metal enclosure GFS 2 1ÖSD1ÖS/1ÖSD1ÖS

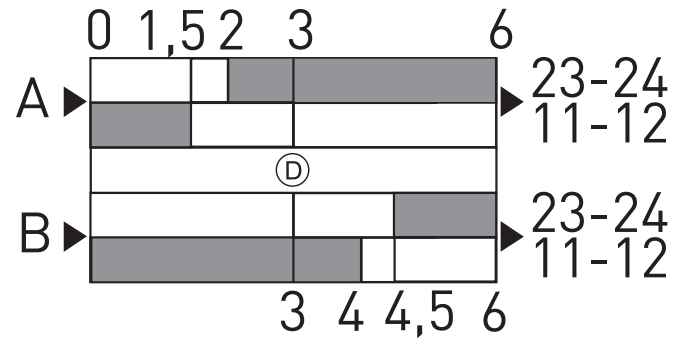
Material no.: 1048916 (material no. old: 82243001)

Contact diagram



(D) Pressure point

Switching diagram



(D) Pressure point