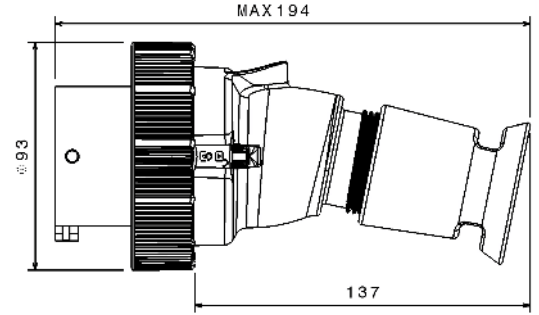




**SERIES X-CEE  
PLUG  
CODE 760233**



### Datasheet

#### Electrical characteristics

Rated current	32A
Supply Voltage	380V-440V 50/60Hz
Poles	3P+ $\perp$
Clock Position	3h
Rated insulation voltage	690V
Signal plug inserted	-

#### Reference Standards and Directives

Certification and approval marks	CE, UKCA, NYCE COLOMBIA
Directives	2011/65/EU (RoHS), 2012/19/EU (WEEE), 2014/35/EU (LVD)
Reference Standards	EN 60309-1:1999/A1:2007, EN 60309-1:1999/A2:2012, EN 60309-2:1999/A1:2007, EN 60309-2:1999/A2:2012, EN 60309-1:1999, EN 60309-2:1999, EN 50581:2012, EN 63000:2018, EN 60309-1:1999/A1AC:2014

#### Mechanical characteristics

Manufacturing material	High resistance technopolymer
Alveolus/plugs treatment	Nickel plated
Color	Grey RAL 7046, Blue RAL 5015
Tightening diameter	9÷23 mm
Execution	Mobile
Protection degree	IP66/IP67
Additional degree protection	IP68/IP69 - IEC 60529
Shock resistance	IK10 according to IEC/EN 62262
Resistance to Glow wire	960°C (Live contacts), 850°C (Casing)
Flame rating according UL94	V-0 (Live contacts), V-2 (Casing)
Terminals type	Screw - indirect clamping
Conductors section	Min: 1 mm <sup>2</sup> ;Max: 10 mm <sup>2</sup>
Terminal tightening torque	3 Nm
Net Weight	0.343 KG
Working Environment Temp.	Min: -40°C ;Max: +60°C
Warehousing Temperature	Min: -50°C ;Max: +90°C

The images are purely indicative. Palazzoli reserves the right to make changes without notice.