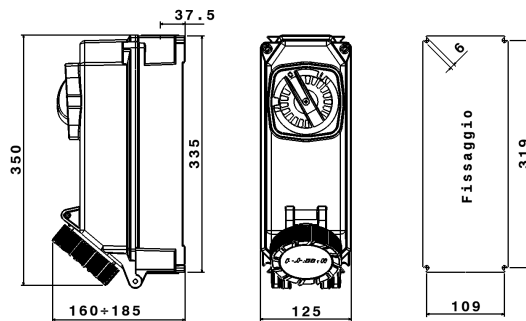




**SERIES TAIS
INTERLOCKED SOCKET**
CODE **474771**



Datasheet

Electrical characteristics

Rated current	32A
Supply Voltage	380/440V 50/60Hz●
Poles	3P+ $\frac{1}{E}$
Clock Position	3h
Rated insulation voltage	690V
Insulation Class	II
Protection	Switch MCB 32A curve C
Signal plug inserted	-

Technical data switch

Thermal current	32 A
Rated short-circuit current	6 kA
Terminals type	Screw - indirect clamping
Conductors section	Min: 0,75 mm ² ;Max: 25 mm ²
Terminal tightening torque	2 Nm
Auxiliary status contacts	Max 2 (combine with MGT)
Padlockable handle	3 locks Ø8 mm max
Operating category	AC-23A / AC-3 32A - 440V

Mechanical characteristics

Manufacturing material	Resin Thermosetting Palazzoli
Treatment type	-
Surface finishing	-
Color	Blue RAL 5015, Grey RAL 7042
Width	125 mm
Execution	Wall mounting
Hole type	M32
Protection degree	IP66/IP67
Additional degree protection	IP69 - IEC 60529
Shock resistance	IK10 according to IEC/EN 62262
Resistance to Glow wire	960°C
Flame rating according UL94	V-0
Corrosivity category	-
Net Weight	3.5 KG
Working Environment Temp.	Min: -25°C ;Max: +50°C
Warehousing Temperature	Min: -50°C ;Max: +80°C

Reference Standards and Directives

Certification and approval marks	NYCE COLOMBIA, CE, UKCA
Directives	2011/65/EU (RoHS), 2012/19/EU (WEEE), 2014/35/EU (LVD), 2014/30/EU (EMC)
Reference Standards	EN 60309-1:1999, EN 60309-2:1999, EN 60947-2:2017, EN 60309-4:2007, EN 60309 1:1999/A1AC:2014, EN 60309 2:1999/A2:2012, EN 60309-4:2007/A1:2012, EN 63000:2018, EN 60309-1:1999/A1:2007, EN 60309-2:1999/A1:2007, EN 60947 2/A1:2020, EN 60309-1:1999/A2:2012

The images are purely indicative. Palazzoli reserves the right to make changes without notice.