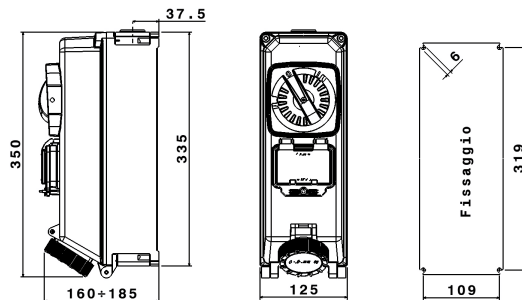




**SERIES TAIS
INTERLOCKED SOCKET
CODE 472133**



Datasheet

Electrical characteristics

Rated current	32A
Supply Voltage	380/440V 50/60Hz ●
Poles	3P+ $\frac{1}{2}$
Clock Position	3h
Rated insulation voltage	690V
Insulation Class	II
Protection	Omega rail 35X7,5 mm
Signal plug inserted	-

Mechanical characteristics

Manufacturing material	Resin Thermosetting Palazzoli
Treatment type	-
Surface finishing	-
Color	Blue RAL 5015, Grey RAL 7042
Width	125 mm
Execution	Wall mounting
Hole type	M32
Protection degree	IP66/IP67
Additional degree protection	IP69 - IEC 60529
Shock resistance	IK10 according to IEC/EN 62262
Resistance to Glow wire	960°C
Flame rating according UL94	V-0
Corrosivity category	-
Net Weight	3 KG
Working Environment Temp.	Min: -25°C ;Max: +50°C
Warehousing Temperature	Min: -50°C ;Max: +80°C

Technical data switch

Thermal current	32 A
Rated short-circuit current	10 kA
Terminals type	Screw - indirect clamping
Conductors section	Min: 1 mm ² ;Max: 10 mm ²
Terminal tightening torque	2 Nm
Auxiliary status contacts	Max 2 (optional)
Padlockable handle	3 locks Ø8 mm max
Operating category	

Categoria Rating	Tensione Voltage	Corrente / Potenza Current / Power
AC-22A	230 V	32 A
	400 V	32 A
	500 V	32 A
	690 V	32 A
AC-23A	230 V	32 A
	400 V	32 A
	500 V	32 A
	690 V	32 A
AC-23A / AC-3	230 V	10.2 kW
	400 V	17.7 kW
	500 V	22.2 kW
	690 V	30.6 kW

Reference Standards and Directives

Certification and approval marks UKCA, CE, NYCE COLOMBIA

Directives 2011/65/EU (RoHS), 2012/19/EU (WEEE), 2014/35/EU (LVD)

Reference Standards EN 60309-1:1999/A1:2007, EN 60309 2:1999/A1:2007, EN 60309-1:1999/A2:2012, EN 60309-1:1999, EN 63000:2018, EN 60309 1:1999/A1AC:2014, EN 60309-2:1999, EN 60309-2:1999/A2:2012

The images are purely indicative. Palazzoli reserves the right to make changes without notice.