

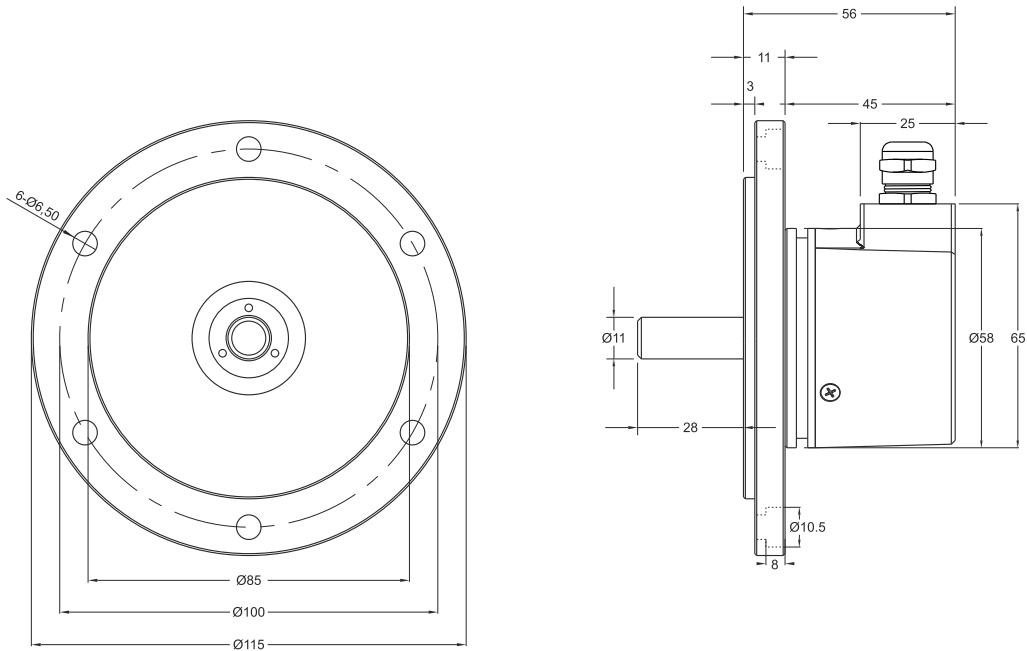
## Optic Rotary Incremental Encoder

- 58 mm case diameter
- 100 - 200 - 360 - 400 - 500 - 600- 720 - 1000 - 1024  
1800 - 2000 - 2048 - 2500 - 3600 - 4000 - 4096 - 5000 ppr.
- Push-Pull, TTL Linedriver and HTL Linedriver outputs
- Shaft diameter 11 mm
- 3500 rpm max.



### Technical Specifications

|                                  |  |
|----------------------------------|--|
| Resolution                       | 100 to 5000 ppr.   |
| Output Channels                  | A,B,Z or A, $\bar{A}$ , B, $\bar{B}$ , Z, $\bar{Z}$  |
| Output Type                      | Push-Pull, TTL Linedriver, HTL Linedriver  |
| Supply Voltage                   | 5V DC or 8-24V DC or 5-24V DC  |
| Power Consumption (without load) | < 40 mA (24 VDC)   |
| Cable                            | 2.5m (Standard) 5 Wire + Shield for Pushpull<br>2.5m (Standard) 8 Wire + Shield for Linedriver |
| Max. Permissible Shaft Loading   | Radial 60 N<br>Axial 40 N  |
| Max. Speed                       | 3.500 rpm  |
| Shaft Diameter                   | Ø11 mm   |
| Shaft Material                   | Stainless Steel  |
| Case Diameter                    | Ø58 mm   |
| Case Material                    | Aluminium and Painted Steel  |
| IP Degree                        | IP 54  |
| Operating Temperature            | -20°C ... +80°C  |
| Storage Temperature              | -30°C ... +90°C  |



| Model         | Case Diameter | Case Type         | Shaft Diameter | Output Type  | Resolution        | Output Channels         | Supply Voltage                               | Connector / Cable   | Cable Output |
|---------------|---------------|-------------------|----------------|--|-------------------|-------------------------|--|---|--------------|
| (example) PRI | 58            | RK                | R11            | HLD  | 1024              | Z                       | V2   | 2M5   | R            |
| PRI           | 58mm          | RK : Tacho flange | R11 : 11mm     | LTP : Push-Pull<br>LD : TTL Linedriver<br>HLD : HTL Linedriver | 100 ... 5000 ppr. | Z : A, B, Z<br>B : A, B | V1 : 5V DC<br>V2 : 8-24V DC<br>V3 : 5-24V DC | 2M5 : 2,5 meter cable<br>5M : 5 meter cable<br>8M : 8 meter cable<br>10M : 10 meter cable<br>C12 : 12 pin connector | R : Radial   |