

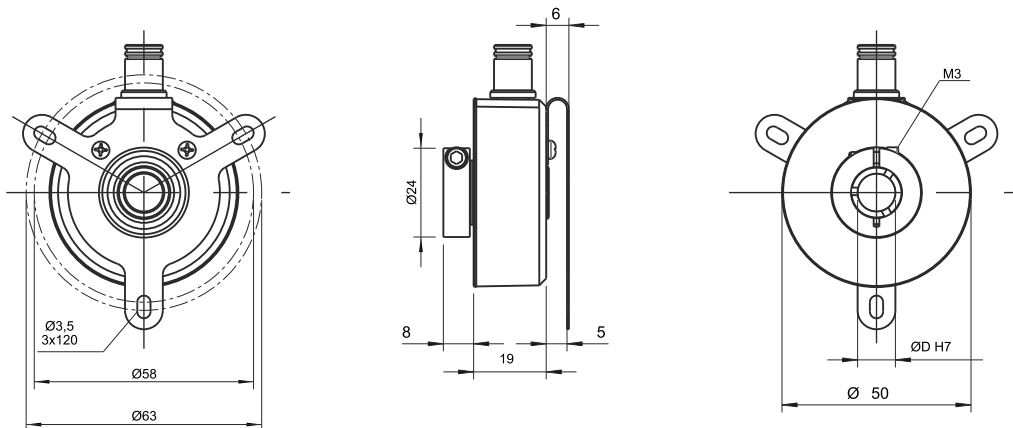
## Optic Rotary Incremental Encoder

- 50 mm case diameter
- Hollow shaft
- 1024 ppr.
- Push-Pull, TTL Linedriver and HTL Linedriver outputs
- Shaft diameter 6 - 8 - 10 - 12 mm
- 3500 rpm max.



### Technical Specifications

Resolution	1024 ppr.
Output Channels	A,B,Z or A,Ā, B,Ā, Z,Z̄
Output Type	Push-Pull, TTL Linedriver, HTL Linedriver
Supply Voltage	5V DC or 8-24V DC or 5-24V DC
Power Consumption (without load)	< 40 mA (24 VDC)
Cable	2.5m (Standard) 5 Wire + Shield for Pushpull 2.5m (Standard) 8 Wire + Shield for Linedriver
Max. Permissible Shaft Loading	Radial 100 N Axial 60 N
Max. Speed	3.500 rpm
Shaft Diameter	Ø6 - 8 - 10 - 12mm
Shaft Material	Stainless Steel
Case Diameter	Ø50 mm
Case Material	Aluminium and Painted Steel
IP Degree	IP 54
Operating Temperature	-20°C ... +80°C
Storage Temperature	-30°C ... +90°C



#### Push-Pull Cable Output

+V : Brown  
0V : White  
GND : Shield  
Ch A : Yellow  
Ch B : Green  
Ch Z : Gray

#### TTL - HTL Linedriver Cable Output

+V : Brown  
0V : White  
GND : Shield  
Ch A : Yellow  
Ch B : Green  
Ch Z : Gray  
Ch A inv.: Blue  
Ch B inv.: Red  
Ch Z inv.: Pink

Model	Case Diameter	Case Type	Shaft Diameter	Output Type	Resolution	Output Channels	Supply Voltage	Connector / Cable	Cable Output
(example) PRI	50	LH	8	HLD	1024	Z	V2	2M5	R
PRI	50mm	LH : Hollow	6 : 6mm 8 : 8mm 10 : 10mm 12 : 12mm	LTP : Push-Pull LD : TTL Linedriver HLD : HTL Linedriver	1024 ppr.	Z : A, B, Z B : A, B	V1 : 5V DC V2 : 8-24V DC V3 : 5-24V DC	2M5 : 2,5 meter cable 5M : 5 meter cable 8M : 8 meter cable 10M : 10 meter cable C12 : 12 pin connector	R : Radial