

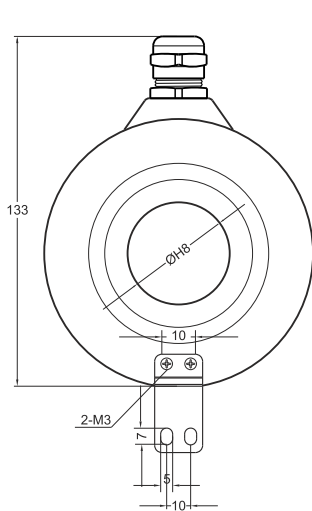
Optic Rotary Incremental Encoder

- 100 mm case diameter
- 1024 ppr.
- Hollow shaft diameter 25 - 28 - 30 - 35 - 38mm
- 3500 rpm max.
- Lift and elevator applications

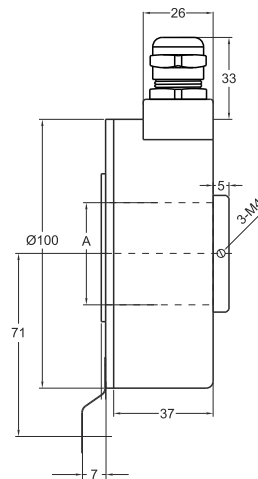


Technical Specifications

Resolution	1024 ppr.
Output Channels	A,B,Z or A,Ā, B,Ā, Z, Z̄
Output Type	Pushpull, TTL Linedriver, HTL Linedriver
Supply Voltage	5V DC or 8-24V DC or 5-24V DC
Power Consumption (without load)	< 40 mA (24 VDC)
Cable	2.5m (Standard) 5 Wire + Shield for Pushpull 2.5m (Standard) 8 Wire + Shield for Linedriver
Max. Permissible Shaft Loading	Radial 180 N Axial 80 N
Max. Speed	3.500 rpm
Shaft Diameter	Ø25 - 28 - 30 - 35 - 38 mm
Shaft Material	Aluminium
Case Diameter	Ø100 mm
Case Material	Aluminium and Painted Steel
IP Degree	IP 50
Operating Temperature	-20°C ... +80°C
Storage Temperature	-30°C ... +90°C



H Type (Radial)



Linedriver Cable Output

Ch A : Yellow
Ch A inv. : Blue
Ch B : Green
Ch B inv. : Red
Ch Z : Gray
Ch Z inv. : Pink
+V : Brown
0V : White
GND : Shield

Push-Pull Cable Output

Ch A : Yellow
Ch B : Green
+V : Brown
0V : White
GND : Shield

Model	Case Diameter	Case Type	Shaft Diameter	Output Type	Resolution	Output Channels	Supply Voltage	Connector / Cable	Cable Output
(example) PRI	100	H	25	LTP	1024	Z	V2	2M5	R
PRI	100	H : Hollow	25 mm 28 mm 30 mm 35 mm 38 mm	LTP : Push-Pull LD : TTL Linedriver HLD : HTL Linedriver	1024 ppr.	Z : A, B, Z B : A, B	V1 : 5V DC V2 : 8-24V DC V3 : 5-24V DC	2M5 : 2,5 meter cable 5M : 5 meter cable 8M : 8 meter cable 10M : 10 meter cable C12 : 12 pin connector	R : Radial