

Bolts for safety guards

- ▶ For safety switches NZ.VZ
- ▶ **Material:** reinforced plastic
- ▶ **Lever for escape release from the danger area**
- ▶ **Bolt with detent knob**
- ▶ For right or left hinged doors



Special features

- ▶ Bolt with detent mechanism (only bolts with escape release) Bolt latches in open position to prevent unintentional closing

Features

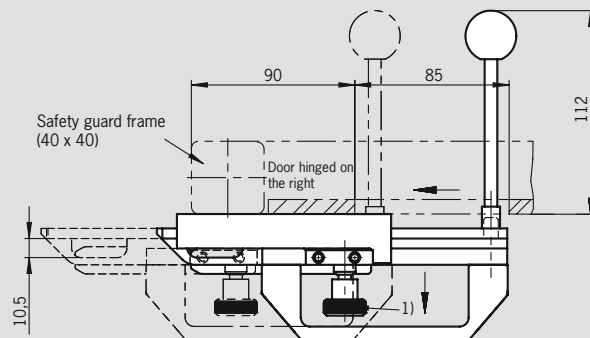
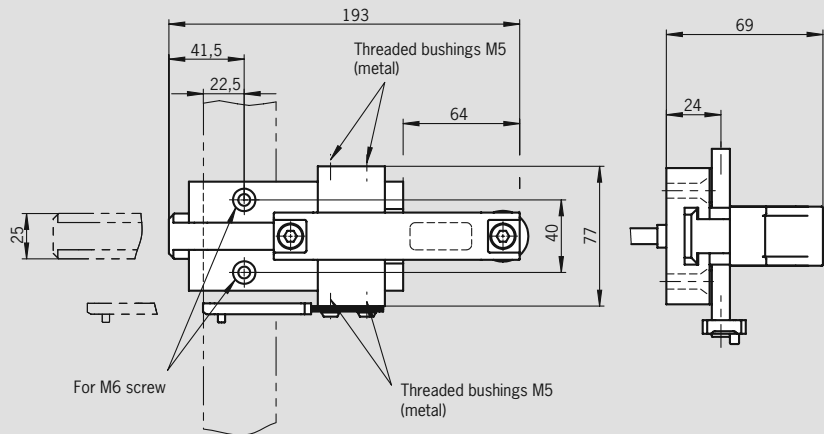
- ▶ Easily fitted to standard aluminum profiles and machine covers by screw connection
- ▶ Distinctive yellow color for easy recognition
- ▶ Robust version for heavy doors
- ▶ No additional door handle necessary
- ▶ Slot on the bolt permits attachment of padlocks

Notes

- ▶ Functions only in conjunction with switch bracket **NZ-GFK**
- ▶ Actuator included
- ▶ Order safety switch separately
- ▶ Order switch bracket separately

Bolt for safety switches NZ.VZ

Dimension drawings



1) Bolt with detent mechanism (only for bolts with escape release): latches in open position and prevents unintentional closing of the bolt. Unlocked by pulling the detent knob upward.

Ordering table

Designation	Detent mechanism	Version	Order no./item
Bolt NZ-GFK	Without	For right hinged doors, without escape release, actuator included	096617 Bolt NZ-GFK
Bolt NZ-GFK-F	Detent knob	For left hinged doors, escape release from the danger area, actuator included	097603 Bolt NZ-GFK-F
Switch bracket NZ-GFK		Separate	096614 Switch bracket NZ-GFK

For safety precautions see page 187
For technical data see page 153

Bolts for safety guards

- ▶ For safety switches NZ.VZ, NZ.VZ.VS and TZ...
- ▶ Bolt with ball handle
- ▶ For right or left hinged doors



Special features

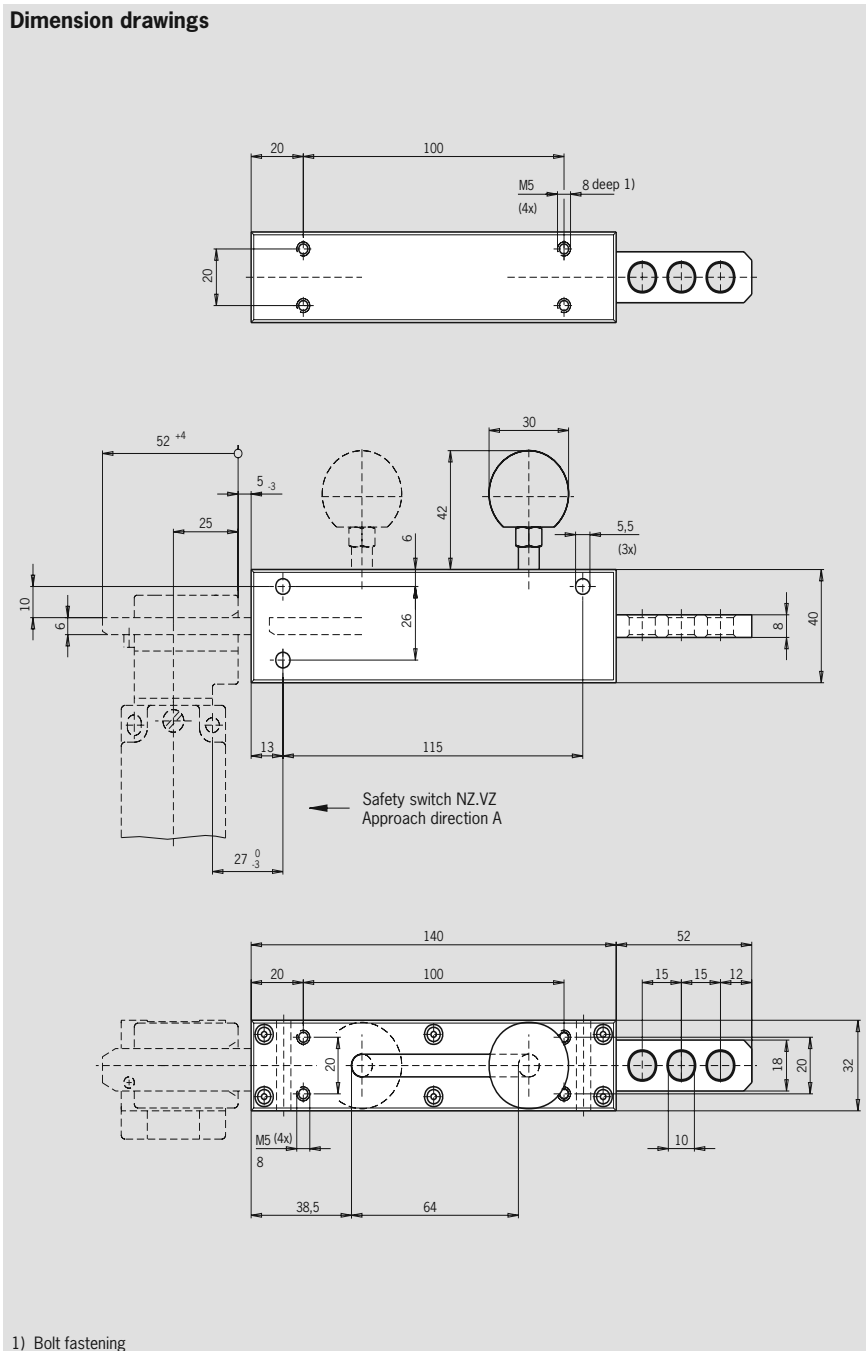
- ▶ With bolt **NZ/TZ-S1** actuating pin on bottom
 - ▶ Safety switch fastened as shown in illustration
- ▶ With bolt **NZ/TZ-S2** actuating pin on top
 - ▶ Safety switch fastened rotated by 180°
- ▶ After the door is opened, the actuator is automatically withdrawn into the bolt by a built-in return spring
 - ▶ Protection of the operator
When the door is open there is no risk of injury due to a protruding actuator
 - ▶ Protection of the actuator
When hinged doors are closed it is ensured that the actuator is not used as an end stop

Features

- ▶ Three holes enable padlocks to be attached

Bolt for safety switches NZ.VZ, NZ.VZ.VS and TZ

Dimension drawings



Ordering table

Designation	Detent mechanism	Version	Order no./item
Bolt NZ/TZ-S1	Without	For right or left hinged doors, actuating pin on bottom, actuator included	028357 Bolt NZ/TZ-S1
Bolt NZ/TZ-S2	Without	For right or left hinged doors, actuating pin on top, actuator included	028359 Bolt NZ/TZ-S2