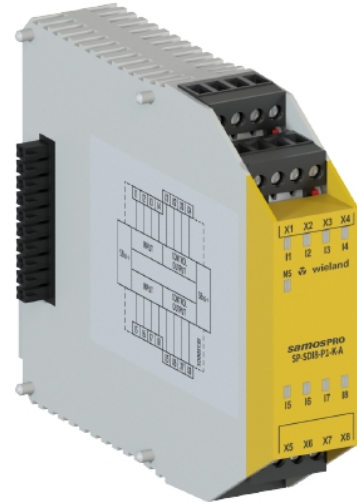


## Data sheet

Commercial Art.No.: R1.190.0050.0

PLC digital I/O-module SP-SDI8-P1-K-A DC 24V

samosPRO, IN-module with 8 input, screw clamp terminal pluggable



Commercial Art.No.	R1.190.0050.0
EAN	4046521309631
Order Unit	1

Certificates / Approvals



## Technical data

### General

SIL according to IEC 61508	3
In-/outputs configurable	yes

### Connection Data

Type of electric connection	screw connection
-----------------------------	------------------

### Output circuit

Number of outputs	0
-------------------	---

### Other

Suited for safety functions	yes
Type of supply voltage	DC
Type of voltage (input voltage)	

### Control circuit

Number of inputs	8
Input current (at state "1")	8 mA
Permitted voltage at input	30 V

### Supply circuit

Min. supply voltage at DC	16.8 V
---------------------------	--------

Max. supply voltage at DC	30 V
---------------------------	------

**Dimensions**

Depth	121 mm
Width	22.5 mm
Height	96.5 mm

**Classification**

ECLASS 11	
ECLASS 8.1	27242204
ETIM 7.0	EC001419
ETIM 6.0	EC001419
ETIM 5.0	EC001419
ETIM 4.0	EC001419
ETIM 3.0	EC001419

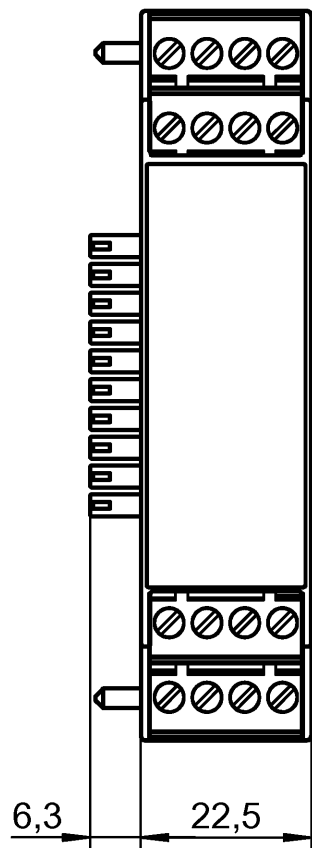
**Safety parameters**

Category (ISO 13849-1)	4
PL (ISO 13849-1)	Level e
SIL <sub>CL</sub> (IEC 62061)	3
HFT	1
T <sub>M</sub>	20 a
Note	More safety characteristics can be found in the manual.

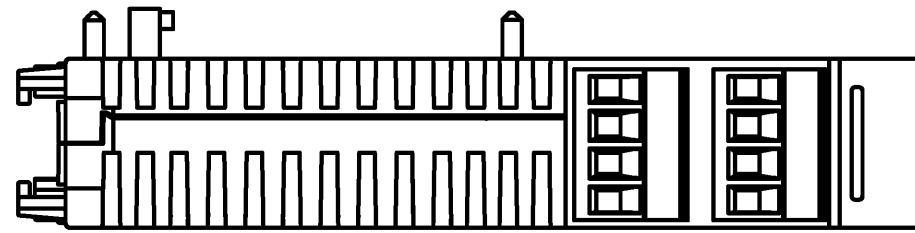
**Product compliance**

ROHS conformity status	Compliant/Exempted
ROHS exceptions	III-6(c)
REACH-SVHC conformity status	Duty-To-Declare
REACH-SVHC substances	Lead
REACH-SVHC CAS numbers	7439-92-1

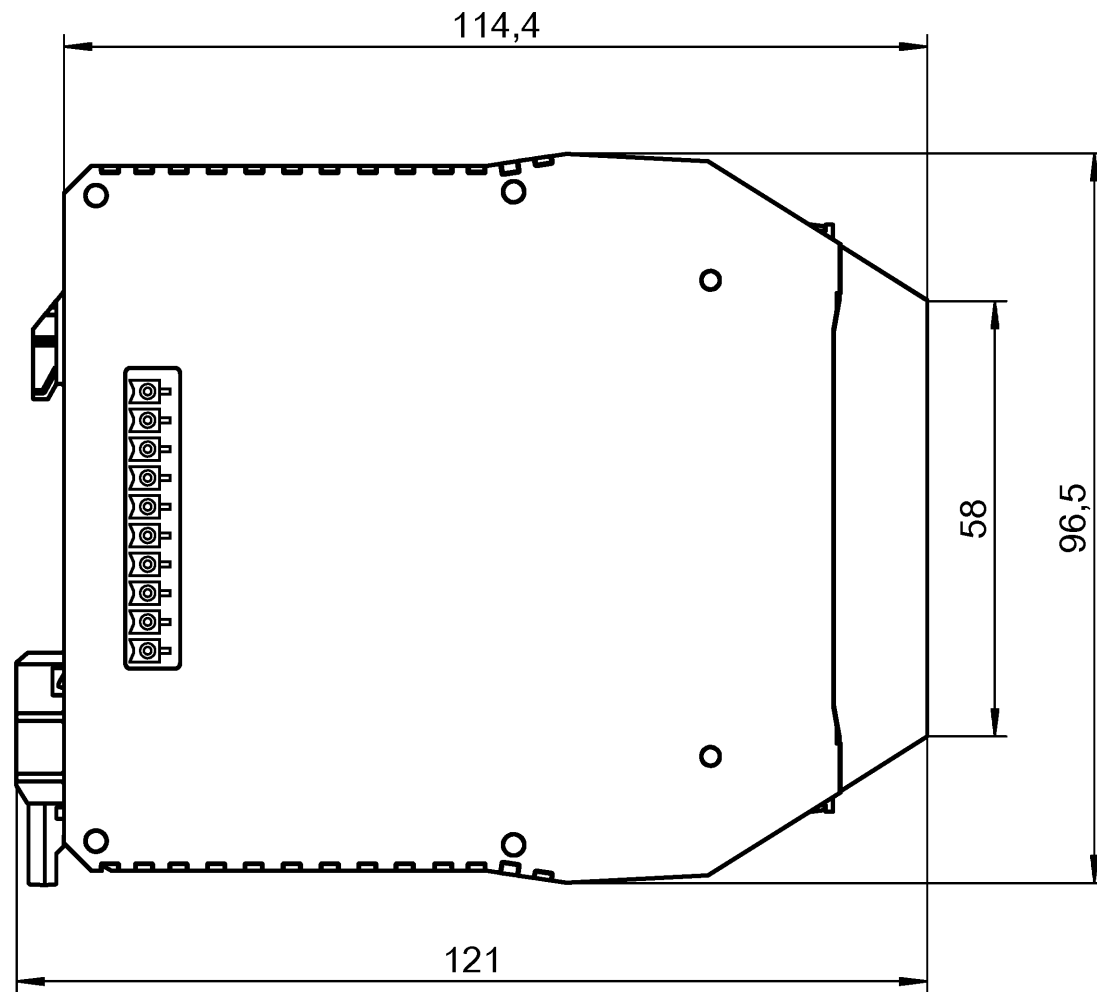
Teile Nr. / Part No.	
	R1.190.0030.0
	R1.190.0050.0
	R1.190.1050.0



(a)



(a)



Weitere Angaben siehe KATALOG oder eKatalog.  
Additional data see CATALOG or eCatalog.

[www.wieland-electric.com](http://www.wieland-electric.com)  
[eshop.wieland-electric.com](http://eshop.wieland-electric.com)

ja/yes  Stoffverbots- und Deklarationsliste nach WN 5020.010 ist einzuhalten.  
Conformity with Wieland document 5020.010 e (list of prohibited / declarable hazardous substances) to be declared!

Freitoleranz nach General tolerance		CAD-Zeichnung, keine manuellen Änderungen CAD-Drawing, no manual modifications allowed		1. Verwendung: First Use:	Blatt: Sheet:
	Werkstoff/ Material	2009 gezeichnet drawn	Tag/ Date 03.12.	Name Viernekäs	
	Maßstab/Scale	geprüft checked		Zeichnung Nr./ Drawing No. <b>T R1.190.0030.0 01K</b>	
		Normgepr. Stand. check		Maße in mm/Dimensions are in mm	
	Datei/ File: 031861_A01K_R1.190.0030.0.DCD	Ersatz für/ Replacement for:			
(a)	19.06.17 Datum/ Blatt Date/ Sheet	<b>wieland</b> <a href="http://www.wieland-electric.com">www.wieland-electric.com</a>	Type	Benennung/ Title Teilespezifikation / Component specification samoss PRO Schraubklemme steckbar samoss PRO plug-in pcb terminal	
	Änderung/ Revision				

Weitergabe sowie Vervielfältigung dieses Dokuments, Verwertung und Mitteilung  
 seines Inhalts sind verboten, soweit nicht ausdrücklich gestattet.  
 The reproduction, distribution and utilization of this document as well as the  
 communication of its contents to others without express authorization is prohibited.

1  
2  
3  
4  
5  
6  
7  
8  
9  
10  
11  
12  
13  
14  
15  
16  
17  
18  
19  
20  
M1  
M2  
M3  
L  
G  
i  
11.1  
12.1  
1.1