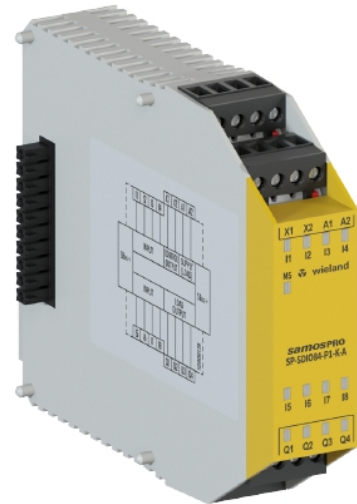


Data sheet

Commercial Art.No.: R1.190.0030.0

PLC digital I/O-module SP-SDIO84-P1-K-A DC 24V

samosPRO, IO-module with 8 input/4 solid state output, screw terminals pluggable



Commercial Art.No.	R1.190.0030.0
EAN	4046521309617
Order Unit	1

Certificates / Approvals



Technical data

General

SIL according to IEC 61508	3
In-/outputs configurable	yes

Connection Data

Type of electric connection	screw connection
-----------------------------	------------------

Output circuit

Number of outputs	4
Output current	2 A
Short-circuit protection, outputs	yes
Type of digital output	Transistor
Min. allowed output voltage	16.8 V
Max. allowed output voltage	30 V

Other

Suited for safety functions	yes
Type of supply voltage	DC
Type of voltage (input voltage)	

Control circuit

Number of inputs	8
------------------	---

Input current (at state "1")	8 mA
Permitted voltage at input	30 V

Supply circuit

Min. supply voltage at DC	16.8 V
Max. supply voltage at DC	30 V

Dimensions

Depth	121 mm
Width	22.5 mm
Height	96.5 mm

Classification

ECLASS 11	
ECLASS 8.1	27242204
ETIM 7.0	EC001419
ETIM 6.0	EC001419
ETIM 5.0	EC001419
ETIM 4.0	EC001419
ETIM 3.0	EC001419

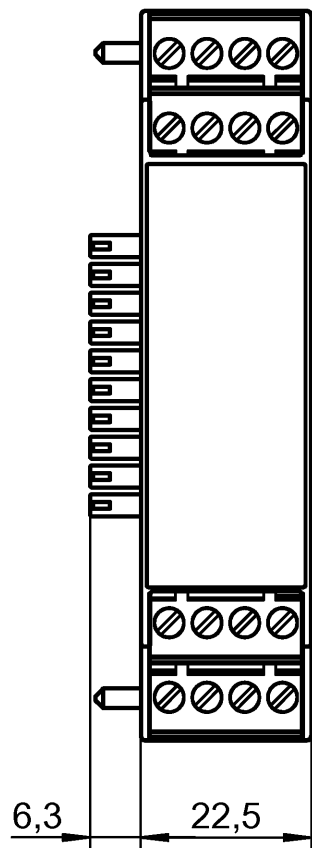
Safety parameters

Category (ISO 13849-1)	4
PL (ISO 13849-1)	Level e
SIL _{CL} (IEC 62061)	3
HFT	1
T _M	20 a
Note	More safety characteristics can be found in the manual.

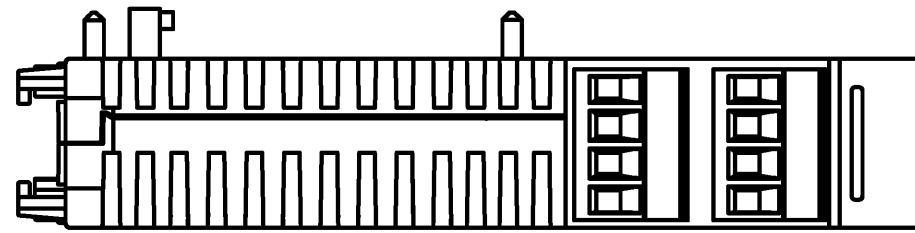
Product compliance

ROHS conformity status	Compliant/Exempted
ROHS exceptions	III-6(c)
REACH-SVHC conformity status	Duty-To-Declare
REACH-SVHC substances	Lead
REACH-SVHC CAS numbers	7439-92-1

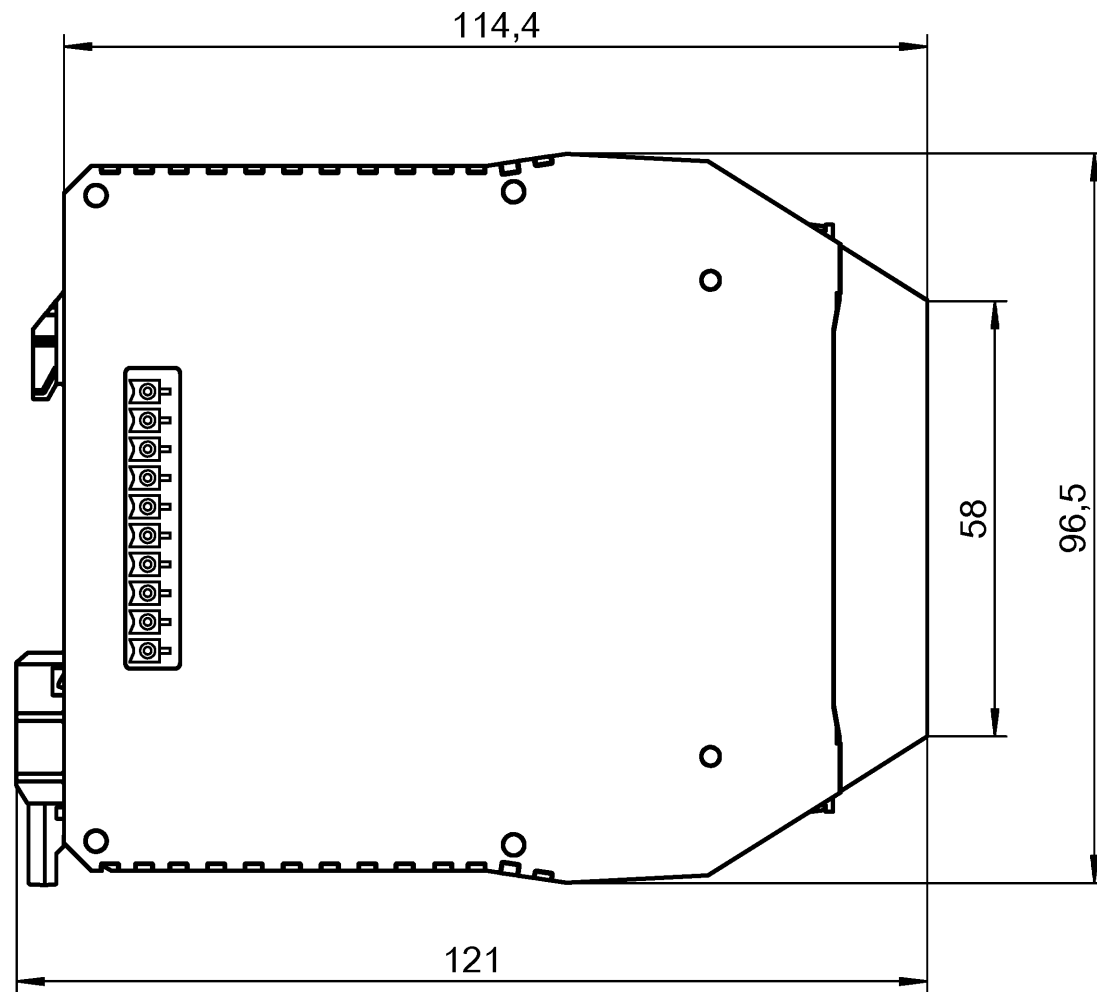
Teile Nr. / Part No.	
	R1.190.0030.0
	R1.190.0050.0
	R1.190.1050.0



(a)



(a)



Weitere Angaben siehe KATALOG oder eKatalog.
Additional data see CATALOG or eCatalog.

www.wieland-electric.com
eshop.wieland-electric.com

ja/yes Stoffverbots- und Deklarationsliste nach WN 5020.010 ist einzuhalten.
Conformity with Wieland document 5020.010 e (list of prohibited / declarable hazardous substances) to be declared!

Freitoleranz nach General tolerance		CAD-Zeichnung, keine manuellen Änderungen CAD-Drawing, no manual modifications allowed		1. Verwendung: First Use:		Blatt: Sheet:	
		Werkstoff/ Material		2009 gezeichnet drawn	Tag/ Date 03.12.	Name Viernekäs	
		Maßstab/Scale		geprüft checked		Zeichnung Nr./ Drawing No. T R1.190.0030.0 01K	
				Normgepr. Stand. check		Maße in mm/Dimensions are in mm	
		Datei/ File: 031861_A01K_R1.190.0030.0.DCD		Ersatz für/ Replacement for:			
(a) 19.06.17 Datum/ Blatt Date/ Sheet		www.wieland www.wieland-electric.com		Type		Benennung/ Title Teilespezifikation / Component specification	
Änderung/ Revision						samoss PRO Schraubklemme steckbar samoss PRO plug-in pcb terminal	

Weitergabe sowie Vervielfältigung dieses Dokuments, Verwertung und Mitteilung seines Inhalts sind verboten, soweit nicht ausdrücklich gestattet.
The reproduction, distribution and utilization of this document as well as the communication of its contents to others without express authorization is prohibited.

A
1
2
3
4
5
6
7
8
9
10
11
12
13
14
15
16
17
18
19
20
M1
M2
M3
L
G
i
11.1
12.1
1.1