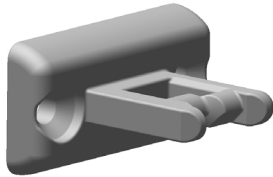




Fixed Actuator



- For use with all DM type locks
- Ideal for most aligned guarding doors
- Compact (fit within DM body's space envelope)
- Version with chain available (DM-F-chain)

mGard range

mGard is the ultimate range of robust mechanical trapped key products. Trapped key technology offers purely mechanical access locks (removing the need for expensive wiring). mGard offers an extensive variety of modular interlocking solutions. Suitable for use in applications up to SIL3 (EN/IEC 62061), Category 4 and PLe (EN/ISO 13849-1), mGard is ideal for use in harsh environments and is tested to 1,000,000 operations.

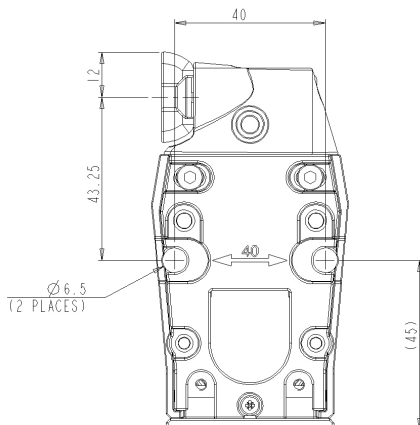
Article Codes

Actuator Type	Part N°
Separate	DM-F
In combination with DM	-F

Technical Specification

Retention Force (in combination with DM or DMSK top-entry)	2500N
Retention Force (in combination with DM or DMSK side-entry)	2500N

Dimensional Drawing (in combination with DM door interlock)



Dimensional Drawing

